



Network-MIDI Driver Installation Guide

ATTENTION

SOFTWARE LICENSE AGREEMENT

PLEASE READ THIS SOFTWARE LICENSE AGREEMENT ("AGREEMENT") CAREFULLY BEFORE USING THIS SOFTWARE. YOU ARE ONLY PERMITTED TO USE THIS SOFTWARE PURSUANT TO THE TERMS AND CONDITIONS OF THIS AGREEMENT. THIS AGREEMENT IS BETWEEN YOU (AS AN INDIVIDUAL OR LEGAL ENTITY) AND YAMAHA CORPORATION ("YAMAHA").

BY DOWNLOADING, INSTALLING, COPYING, OR OTHERWISE USING THIS SOFTWARE YOU ARE AGREEING TO BE BOUND BY THE TERMS OF THIS LICENSE. IF YOU DO NOT AGREE WITH THE TERMS, DO NOT DOWNLOAD, INSTALL, COPY, OR OTHERWISE USE THIS SOFTWARE. IF YOU HAVE DOWNLOADED OR INSTALLED THE SOFTWARE AND DO NOT AGREE TO THE TERMS, PROMPTLY DELETE THE SOFTWARE.

1. GRANT OF LICENSE AND COPYRIGHT

Yamaha hereby grants you the right to use the software program(s) and data ("SOFTWARE") accompanying this Agreement. The term SOFTWARE shall encompass any updates to the accompanying software and data. The SOFTWARE is owned by Yamaha and/or Yamaha's licensor(s), and is protected by relevant copyright laws and all applicable treaty provisions. While you are entitled to claim ownership of the data created with the use of SOFTWARE, the SOFTWARE will continue to be protected under relevant copyrights.

- **You may** use the SOFTWARE on **your computer(s)**.
- **You may** make one or reasonable copies of the SOFTWARE in machine-readable form for backup purposes only, if the SOFTWARE is on media where such backup copy is permitted. On the backup copy, you must reproduce Yamaha's copyright notice and any other proprietary legends that were on the original copy of the SOFTWARE.
- **You may** permanently transfer to a third party all your rights in the SOFTWARE, provided that you do not retain any copies and the recipient reads and agrees to the terms of this Agreement.

2. RESTRICTIONS

- **You may not** engage in reverse engineering, disassembly, decompilation or otherwise deriving a source code form of the SOFTWARE by any method whatsoever.
- **You may not** reproduce, modify, change, rent, lease, or distribute the SOFTWARE in whole or in part, or create derivative works of the SOFTWARE.
- **You may not** electronically transmit the SOFTWARE from one computer to another or share the SOFTWARE in a network with other computers.
- **You may not** use the SOFTWARE to distribute illegal data or data that violates public policy.
- **You may not** initiate services based on the use of the SOFTWARE without permission by Yamaha Corporation.

Copyrighted data, including but not limited to MIDI data for songs, obtained by means of the SOFTWARE, are subject to the following restrictions which you must observe.

- Data received by means of the SOFTWARE may not be used for any commercial purposes without permission of the copyright owner.
- Data received by means of the SOFTWARE may not be duplicated, transferred, or distributed, or played back or performed for listeners in public without permission of the copyright owner.
- The encryption of data received by means of the SOFTWARE may not be removed nor may the electronic watermark be modified without permission of the copyright owner.

3. TERMINATION

This Agreement becomes effective on the day that you receive the SOFTWARE and remains effective until terminated. If any copyright law or provisions of this Agreement is violated, the Agreement shall terminate automatically and immediately without notice from Yamaha. Upon such termination, you must immediately destroy the licensed SOFTWARE, any accompanying written documents and all copies thereof.

4. DISCLAIMER OF WARRANTY ON SOFTWARE

You expressly acknowledge and agree that use of the SOFTWARE is at your sole risk. The SOFTWARE and related documentation are provided "AS IS" and without warranty of any kind. NOTWITHSTANDING ANY OTHER PROVISION OF THIS AGREEMENT, YAMAHA EXPRESSLY DISCLAIMS ALL WARRANTIES AS TO THE SOFTWARE, EXPRESS, AND IMPLIED, INCLUDING BUT NOT LIMITED TO THE IMPLIED WARRANTIES OF MERCHANTABILITY, FITNESS FOR A PARTICULAR PURPOSE AND NON-INFRINGEMENT OF THIRD PARTY RIGHTS. SPECIFICALLY, BUT WITHOUT LIMITING THE FOREGOING, YAMAHA DOES NOT WARRANT THAT THE SOFTWARE WILL MEET YOUR REQUIREMENTS, THAT THE OPERATION OF THE SOFTWARE WILL BE UNINTERRUPTED OR ERROR-FREE, OR THAT DEFECTS IN THE SOFTWARE WILL BE CORRECTED.

5. LIMITATION OF LIABILITY

YAMAHA'S ENTIRE OBLIGATION HEREUNDER SHALL BE TO PERMIT USE OF THE SOFTWARE UNDER THE TERMS HEREOF. IN NO EVENT SHALL YAMAHA BE LIABLE TO YOU OR ANY OTHER PERSON FOR ANY DAMAGES, INCLUDING, WITHOUT LIMITATION, ANY DIRECT, INDIRECT, INCIDENTAL OR CONSEQUENTIAL DAMAGES, EXPENSES, LOST PROFITS, LOST DATA OR OTHER DAMAGES ARISING OUT OF THE USE, MISUSE OR INABILITY TO USE THE SOFTWARE, EVEN IF YAMAHA OR AN AUTHORIZED DEALER HAS BEEN ADVISED OF THE POSSIBILITY OF SUCH DAMAGES. In no event shall Yamaha's total liability to you for all damages, losses and causes of action (whether in contract, tort or otherwise) exceed the amount paid for the SOFTWARE.

6. THIRD PARTY SOFTWARE

Third party software and data ("THIRD PARTY SOFTWARE") may be attached to the SOFTWARE. If, in the written materials or the electronic data accompanying the Software, Yamaha identifies any software and data as THIRD PARTY SOFTWARE, you acknowledge and agree that you must abide by the provisions of any Agreement provided with the THIRD PARTY SOFTWARE and that the party providing the THIRD PARTY SOFTWARE is responsible for any warranty or liability related to or arising from the THIRD PARTY SOFTWARE. Yamaha is not responsible in any way for the THIRD PARTY SOFTWARE or your use thereof.

- Yamaha provides no express warranties as to the THIRD PARTY SOFTWARE. IN ADDITION, YAMAHA EXPRESSLY DISCLAIMS ALL IMPLIED WARRANTIES, INCLUDING BUT NOT LIMITED TO THE IMPLIED WARRANTIES OF MERCHANTABILITY AND FITNESS FOR A PARTICULAR PURPOSE, as to the THIRD PARTY SOFTWARE.
- Yamaha shall not provide you with any service or maintenance as to the THIRD PARTY SOFTWARE.
- Yamaha is not liable to you or any other person for any damages, including, without limitation, any direct, indirect, incidental or consequential damages, expenses, lost profits, lost data or other damages arising out of the use, misuse or inability to use the THIRD PARTY SOFTWARE.

7. GENERAL

This Agreement shall be interpreted according to and governed by Japanese law without reference to principles of conflict of laws. Any dispute or procedure shall be heard before the Tokyo District Court in Japan. If for any reason a court of competent jurisdiction finds any portion of this Agreement to be unenforceable, the remainder of this Agreement shall continue in full force and effect.

8. COMPLETE AGREEMENT

This Agreement constitutes the entire agreement between the parties with respect to use of the SOFTWARE and any accompanying written materials and supersedes all prior or contemporaneous understandings or agreements, written or oral, regarding the subject matter of this Agreement. No amendment or revision of this Agreement will be binding unless in writing and signed by a fully authorized representative of Yamaha.

Special Notices

- The software and this manual are the exclusive copyrights of Yamaha Corporation.
- Copying of the software or reproduction of this manual in whole or in part by any means is expressly forbidden without the written consent of the manufacturer.
- Yamaha makes no representations or warranties with regard to the use of the software and documentation and cannot be held responsible for the results of the use of this manual and the software.
- The screen displays as illustrated in this manual are for instructional purposes, and may appear somewhat different from the screens which appear on your computer.
- Apple, Mac and Macintosh are trademarks of Apple Inc., registered in the U.S. and other countries. The company names and product names in this manual are the trademarks or registered trademarks of their respective companies.
- Software such as the editor may be revised and updated without prior notice. Make sure to check and download the latest version of the software from the following site.
<http://www.yamahaproaudio.com/>
- Future upgrades of application and system software and any changes in specifications and functions will be announced separately.

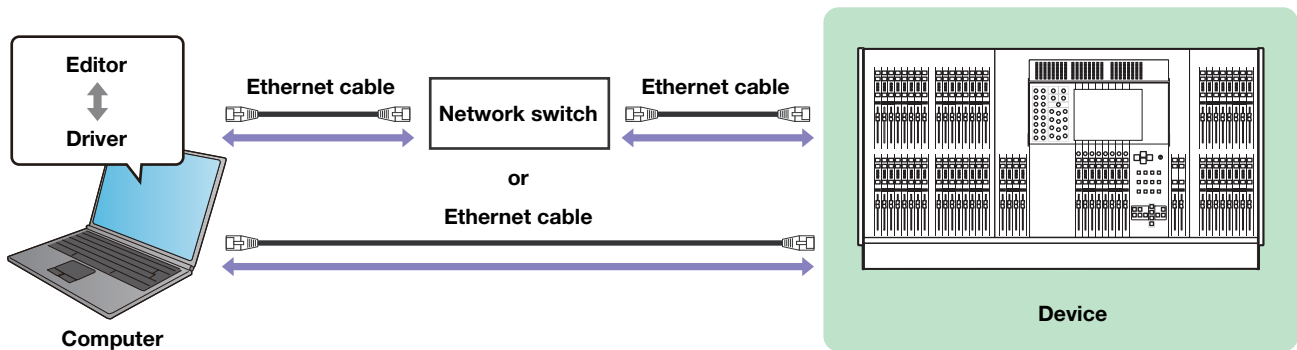
Network-MIDI Driver

Network-MIDI Driver is software for Mac that transfers MIDI data back and forth between your computer and your Yamaha device via Ethernet cable.

To operate your device from your computer via Ethernet, you'll need to install the Network-MIDI Driver software.

Connection of computer and device

Connect the computer to device by using an Ethernet cable via a network switch. You can connect the computer to device directly, use an Ethernet cable.



NOTE When you connect the computer to the M7CL directly, use a crossover cable.

Minimum System Requirements

Network-MIDI Driver applies to the system requirements of Editor. Refer to the Editor's Installation Guide for details.

Installation

1 Start the computer and log in to the Administrator account.

Exit any open applications and close all open windows.

2 After the downloaded compressed file is properly extracted, double-click the file “Yamaha Network-MIDI Driver V*.pkg.”**

*** represents the version number.

The “Welcome to the Yamaha Network-MIDI Driver Installer” window appears.

3 Click [Continue].

The “Installation Type” window appears.

4 Click [Install].

The “Authenticate” window appears.

5 Enter the Administrator name and the password, then click [Install Software] or [OK].

The “Installation” window appears indicating the installation progress. When the installation is complete, the “Summary” window appears.

6 Click [Close].

The Network-MIDI Driver has been installed.

Uninstallation

Follow the steps below to uninstall the Yamaha Network-MIDI Driver.

1 Start the computer and log in to the Administrator account.

Exit any open applications and close all open windows.

2 After the downloaded compressed file is properly extracted, double-click on “Uninstall Yamaha Network-MIDI Driver.”

3 Click [Run] when the “Welcome to the Yamaha Network-MIDI Driver uninstaller” window appears.

After that, follow the on-screen instructions to uninstall the software.

4 After completing the uninstallation, an “Uninstallation completed” window appears. Click [Close].

Setup

1 Log into Mac with Administrator privileges.

NOTE In order to use the Network-MIDI Driver, the computer and device must be properly connected and configured. For details on connections, refer to “[Connection of computer and device](#)”. For details on configuration, refer to “[TCP/IP Settings](#)” and “[Troubleshooting \(FAQ\)](#)”.

2 Click [System Preferences] icon on Dock.

The “System Preferences” window appears.

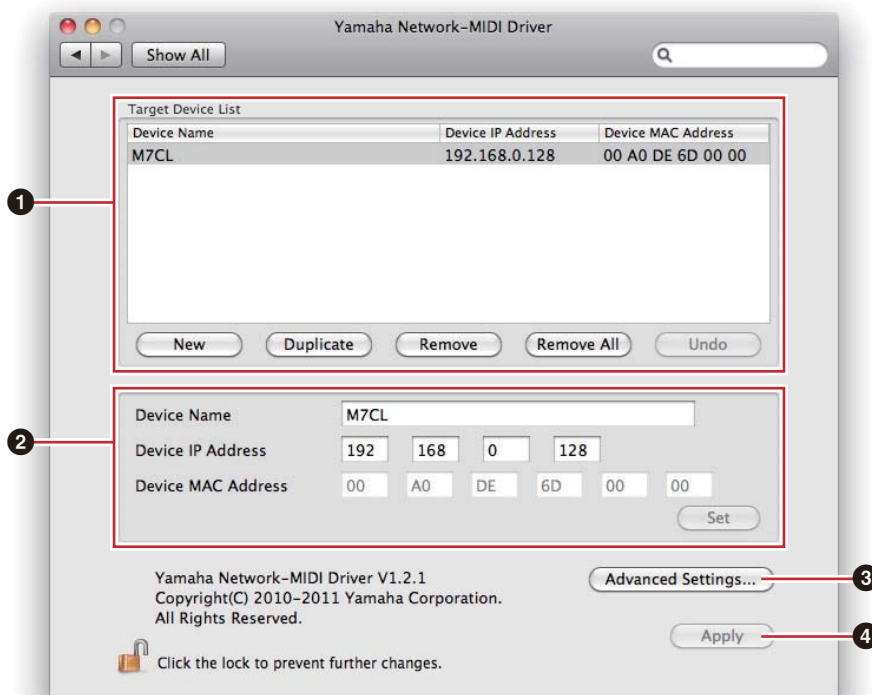
3 Click [Yamaha Network-MIDI Driver] icon.

“Yamaha Network-MIDI Driver” window appears.

4 Click the lock icon located in the lower left corner of the “Yamaha Network-MIDI Driver” window, and then enter the Administrator name and password.

5 Set up the driver parameters via the “Yamaha Network-MIDI Driver” window.

Click the [New] button to input the IP address and other information in Device Information (2) when the devices connected are not displayed in Target Device List (1). Click the [Set] button to register the device, then click the [Apply] button to save the setting. When only one device is connected and the network setting is initialized, the communication is available if “192.168.0.128” (M7CL/LS9) or “192.168.0.129” (DSP5D) is set in Device Information (2). When connecting to multiple devices, click the [Advanced Settings] button to enable the device to be detected automatically for convenient operation.



1 Target Device List

The name, IP address, and MAC address of all devices registered to communicate with the Network-MIDI Driver are shown in this list. Click the title bars to sort accordingly.

When a device is selected in the list, information related to that device will appear in the device information area (2) below the list.

Device Name

This column lists the names of devices. When a device is selected in the list, its name also appears in the Device Name field in the device information area (2) below the list.

Device IP Address

The IP address of the corresponding device. When a device is selected in the list, its IP address also appears in the Device IP Address field in the device information area (2) below the list.

Device MAC Address

The MAC address of the corresponding device. When a device is selected in the list, its MAC address also appears in the Device MAC Address field in the device information area (2) below the list.

[New] Button

Click this button to add a new device to the list. Edit the device's parameters as required via the fields in the device information area (2) below the list, then click the [Set] button to add the specified device.

[Duplicate] Button

This button adds a device to the list by copying the data from the currently selected device. Edit the new device's parameters as required via the fields in the device information area (2) below the list, then click the [Set] button to add the specified device.

[Remove] Button

Deletes the selected device from the list. If the removed device is not the lowest device in the list, all devices below the removed device will be shifted upward to maintain the continuity of the list.

[Remove ALL] Button

Deletes all devices from the list.

[Undo] Button

This button provides a one-step undo function that allows you to undo a single operation and revert to the previous state. The [Undo] button will be grayed out and inaccessible immediately after an undo operation or after the "Yamaha Network-MIDI Driver" window is launched.

2 Device Information

When a device that is registered for communication with the Network-MIDI Driver is selected in the Target Device List, the communication parameters for that device can be viewed and edited in the Device Information fields.

Device Name

This is the name of the device. The initial default settings are "UNIT1" through "UNIT511," but the name can be edited as required in the Device Name field.

Device IP Address

The IP address of the device can be set via these fields. Refer to the manual of the corresponding device for details on checking and setting its IP address.

NOTE The IP address must be set properly or communication with the device will not be possible.

Device MAC Address

The MAC (Media Access Control) address of the device can be set via these fields. The MAC address of each device is permanently assigned when the device is manufactured and cannot be changed. The MAC address parameter is included to prevent data from being sent to the wrong device if the IP address is inadvertently set incorrectly. Refer to the manual of the corresponding device for details on checking its MAC address.

NOTE The MAC address must be set properly or communication with the device will not be possible.

NOTE The MAC address of the connected device cannot be changed.

[Set] Button

Click the [Set] button after editing the Device Name, Device IP Address, and Device MAC Address parameters to actually apply the changes. Also, devices added to the Target Device List (1) by pressing the [New] or [Duplicate] buttons will only actually be registered for communication with the Network-MIDI Driver when the [Set] button is pressed.

③ [Advanced Settings] Button

Opens the “Advanced Settings” window.

The parameters in this window set up the device for automatic device detection, and allow saving and loading files. For details refer to the “[Automatic Device Detection and Load/Save File](#)” section.

④ [Apply] Button

The parameters in the display are applied, and communication starts.

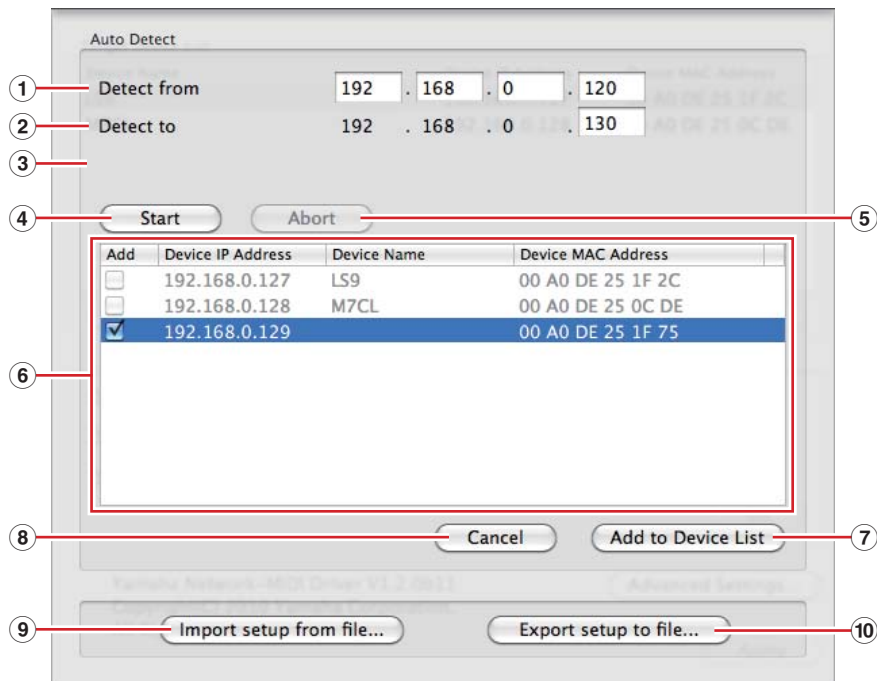
NOTE You may be requested to enter the Administrator name and password. In that case, enter the name and password, and then click [OK].

Automatic Device Detection and Load/Save File

The “Advanced Settings” window can be opened by clicking the [Advanced Settings] button in the “Yamaha Network-MIDI Driver” window.

“Advanced Settings” Window

The parameters in the “Advanced Settings” window set up the Network-MIDI Driver for automatic device detection, and allow saving and loading setup files.



Auto Detect

Allows automatic detection of connected devices. A maximum of 254 addresses (***.***.***.1 through ***.***.***.254) can be detected.

NOTE Only devices on the same subnet as the computer can be detected automatically.

Before searching for device(s) make sure that the computer is connected to the subnet to be searched, and that an appropriate IP address is assigned.

① Detect from

Specifies the start IP address for automatic detection.

② Detect to

Specifies the end IP address for automatic detection.

③ Currently searching

Displays the IP address being checked during automatic detection. No display when automatic detection is not in progress.

④ [Start] Button

Initiates automatic detection, and causes the detected device list (⑥) to be updated accordingly. This button is grayed out and is not accessible during automatic detection.

⑤ [Abort] Button

Aborts automatic detection.

This button is grayed out when automatic detection is not in progress.

⑥ **Detected Device List**

This list shows all detected devices. No devices will be displayed initially.

[Add] Checkbox

Checked devices will be added to the Target Device List when the [Add to Device List] button (below) is clicked. Devices that are already registered cannot be checked.

Device IP Address

The IP address of the corresponding detected device.

Device Name

If a name has been registered for the detected device it will be displayed here, otherwise no name will be displayed.

Device MAC Address

The MAC address of the corresponding detected device.

⑦ **[Add to Device List] Button**

Devices with checked [Add] checkboxes will be added to the Target Device List when this button is clicked.

⑧ **[Cancel] Button**

Closes the window without making any changes.

⑨ **[Import Setup from File] Button**

When working in a different environment it is possible to load a previously saved setup file. Click to open the "Import setup from file" window.

Select a setup file and then click the [Open] button to import the corresponding settings.

⑩ **[Export Setup to File] Button**

It is possible to save the setup data to a file that can then be reloaded when working in a different environment. Click to open the "Export setup to file" window.

Enter a file name and click the [Save] button to save the setup file.

TCP/IP Settings

1 Click the [System Preferences] icon on Dock.

The “System Preferences” window appears.

2 Click the [Network] icon.

The “Network” window appears.

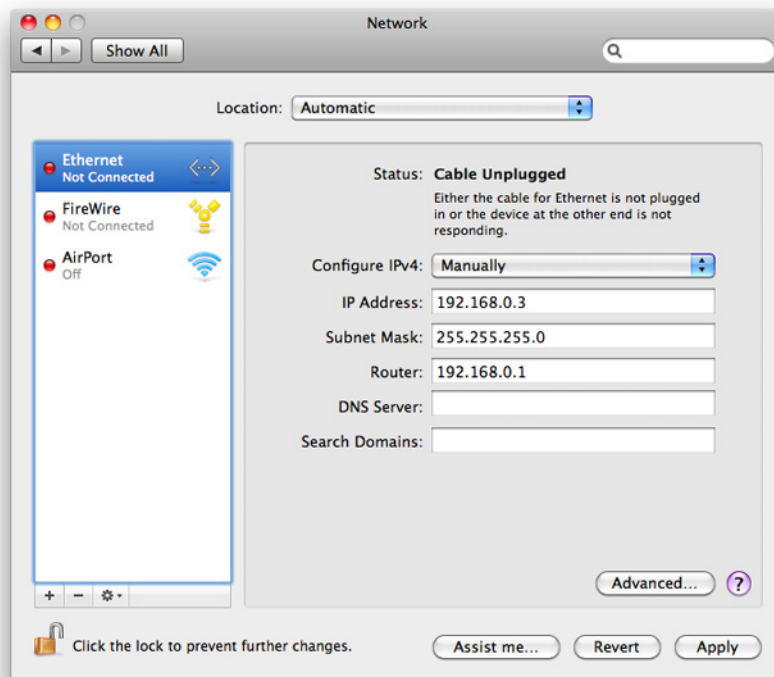
3 Click [Ethernet].

The Ethernet settings appears.

NOTE If there are multiple Ethernet choices, select the one that is connected to the device.

4 Select [Manually] in [Configure IPv4] or [Configuration]. Input the IP address of the computer in [IP Address], “255.255.255.0” in [Subnet Mask], and the IP address of the router (gateway) in [Router] individually.

NOTE It is recommended that you set the IP address to “192.168.0.3” when peer-to-peer connecting a single device to a computer. For details on settings when connecting to multiple devices via a switching hub, refer to the installation guide for each editor software.



5 Click [Apply].

The network settings are applied.

Troubleshooting (FAQ)

When controlling the device from your computer via Ethernet, the device does not operate correctly.

- Is the Network-MIDI Driver installed?
- Is the Ethernet cable connected correctly?
Refer to the “[Connection of computer and device](#)” section.
- Is the Network-MIDI Driver set up appropriately?
Refer to the “[Setup](#)” section.
- Did you enter an appropriate IP address of the device?
For details on making settings of the IP Address of the devices, refer to the owner’s manual for each device.
If you are connecting the device to your computer in a one-to-one connection, we recommend that you make the following initial settings.

IP address	192.168.0.128 (M7CL/LS9), 192.168.0.129 (DSP5D)
Gateway address	192.168.0.1
Subnet mask	255.255.255.0

Refer to the installation guide for each editor software when connecting to multiple devices with network switch.

- Is the computer network setup appropriately?
Confirm the network setup by following the procedures in the “[TCP/IP Settings](#)” section.
If you are connecting the device to your computer in a one-to-one connection, we recommend that you make the following settings.

IP address	192.168.0.3
Subnet mask	255.255.255.0
Router	192.168.0.1

Refer to the installation guide for each editor software when connecting to multiple devices with network switch.

- Are the settings of the device and peripheral network devices (including network switch) appropriate?
Refer to the relevant owner’s manuals for the device and peripheral network devices (including network switch) for details.
- Have you selected an appropriate ports in the Editor and Studio Manager?
Select the device as the input/output port settings of Editor and Studio Manager.
- Are you using the latest Network-MIDI Driver?
The latest driver can be downloaded from the Yamaha website <http://www.yamahaproaudio.com/>

- Are the settings of your security software appropriate?

For Mac OS X 10.8/10.7

Click [System Preferences] on Dock → [Security & Privacy] → [Firewall]. Confirm that the firewall is off. When starting the firewall, make advanced settings to enable the following MIDI Server to receive and connect.
/System/Library/Frameworks/CoreMIDI.framework/Versions/Current/MIDI Server

For Mac OS X 10.6

Click [System Preferences] on Dock → [Security] → [Firewall]. Confirm that the firewall is off. When starting the firewall, make advanced settings to enable the following MIDI Server to receive and connect.
/System/Library/Frameworks/CoreMIDI.framework/Versions/Current/MIDI Server

For Mac OS X 10.5

Click [System Preferences] on Dock → [Security] → [Firewall]. Make sure that the [Allow all incoming connections] or [Set access for specific services and applications] checkbox is selected.

When [Set access for specific services and applications] is selected, make detailed settings to enable the following MIDI Server to receive and connect.

/System/Library/Frameworks/CoreMIDI.framework/Versions/Current/MIDI Server