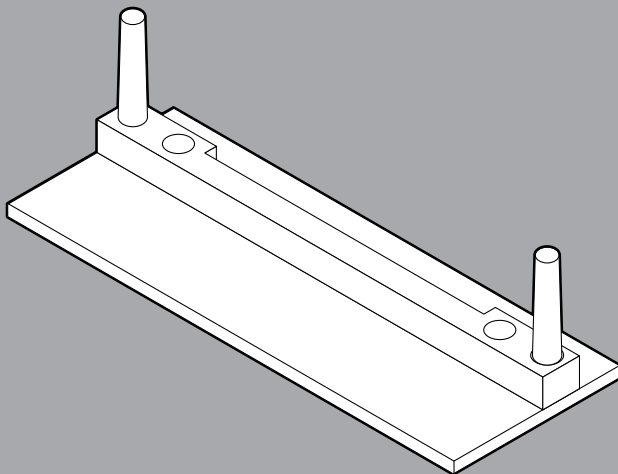


# PDS - 150

*PEDESTAL*

## Installation Instructions

Before attempting to assemble these accessories, please read these instructions completely.  
Please retain this book for future reference.



## Manuel d'installation

Avant d'essayer d'assembler ces accessoires, veuillez lire ces instructions complètement.  
Veuillez garder ce manuel pour une référence future.

## Instrucciones de instalación

Antes de instalar estos accesorios, lea cuidadosamente estas instrucciones.  
Guarde estas instrucciones para futuras referencias.

---

# Precautions with regard to setting up

## WARNING

**Installation work should only be carried out by a qualified technician.**

- If the pedestal is not installed correctly, the wide plasma display may fall over and personal injury may result.

## CAUTION

**Do not use any displays other than those given in the catalogue.**

**Do not climb up onto the pedestal or use it as a step. (Young children should be made particularly aware of this caution.)**

- If the unit falls over or becomes damaged through misuse, injury may result.

**Do not use the pedestal if it becomes warped or physically damaged.**

- If you use the pedestal whilst it is physically damaged, personal injury may result. Contact your nearest YAMAHA Dealer immediately.

**Set up on a stable, level surface.**

- If this is not done, the unit may fall over and become damaged, and personal injury may result.

**Do not use in places with high humidity.**

- Long-term usage in such conditions can cause warping or deformation. This can lead to loss of strength, and the unit may fall over and become damaged, and personal injury may result.

**During setting-up, make sure that all screws are securely tightened.**

- If sufficient care is not taken to ensure screws are properly tightened during assembly, the pedestal will not be strong enough to support the wide plasma display, and it might fall over and become damaged, and personal injury may result.

**Use the accessory fall-prevention brackets to secure the wide plasma display.**

- If the unit is knocked or children climb onto the pedestal with the wide plasma display installed, the wide plasma display may fall over and personal injury may result.

**Two people are required to install and remove the display.**

- If two people are not present, the display may be dropped, and personal injury may result.

## Notes on handling

- 1) If the unit is placed in direct sunlight or next to a stove, the light and heat may cause discoloration or deformation.

- 2) Cleaning

Wipe the unit with a dry cloth. If the unit is particularly dirty, clean it using a cloth soaked with water to which a small amount of neutral detergent has been added, and then wipe with a dry cloth.

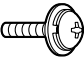

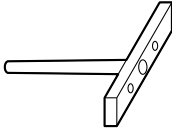
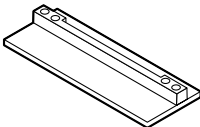
Do not use products such as solvents, thinner or household wax for cleaning, as they can damage the surface coating.

(If using a chemically-treated cloth, follow the instructions supplied with the cloth.)

- 3) Do not attach sticky tape or labels, as they can make the surface of the pedestal dirty.

# Assembling the pedestal / Setting-up

## Accessories for pedestal assembly

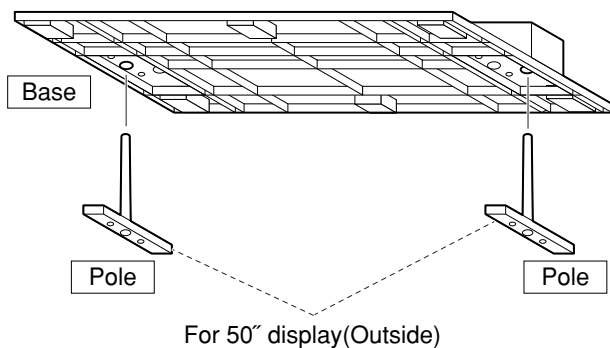
① Assembly screw .....4 	② Assembly screw (Black screw)....4 	③ Pole .....2 	④ Base .....1 
---	---	---	--

## Assembling the pedestal

The numbers (such as ① ) in the explanatory text indicate part numbers in the table of accessories.

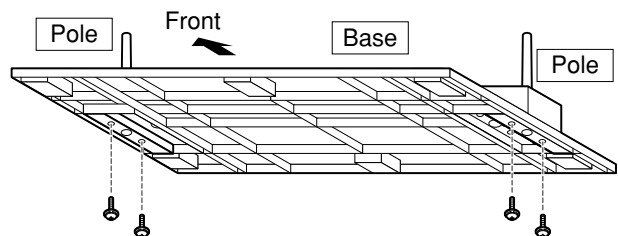
Assemble the poles correctly by referring to the illustrations below.

### 1. Installing the poles



Insert the poles into the left and right holes in the underside of the base so that they fit securely as shown in the illustration above.

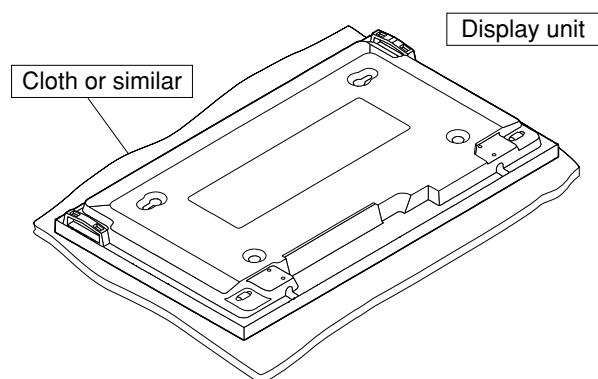
### 2. Securing the poles



Use the assembly screws ① to secure the poles firmly to the bottom of the base.

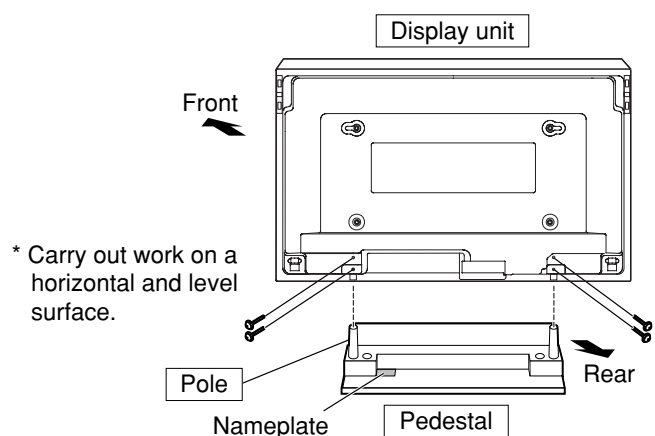
## Setting-up

### 1. Setting up the display unit



Spread a clean cloth or similar material over a level floor or base, and place the display unit on it face down.

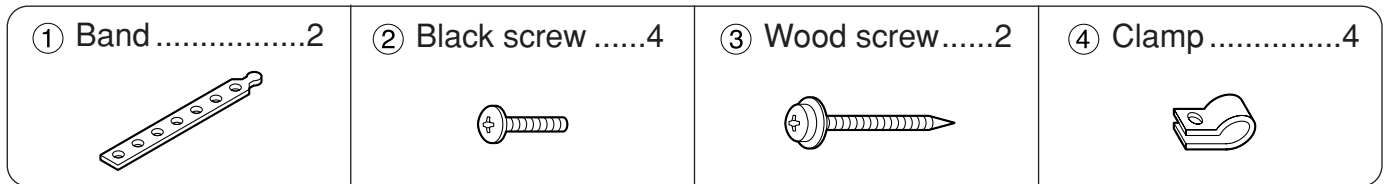
### 2. Securing the display unit



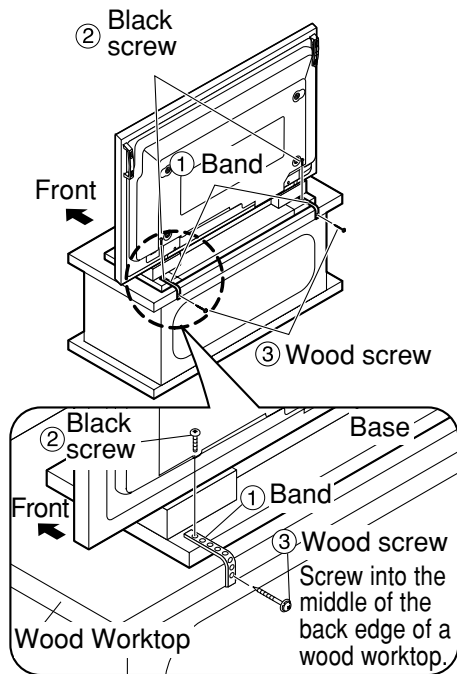
Use the assembly screws ② (Black screw) to fasten securely. Lift the display unit above the pedestal base, with the back of the display unit on the same side as the Nameplate. Then align the holes in the display unit with the poles of the pedestal and lower the display unit into place.

# Preventing the wide plasma display from falling over

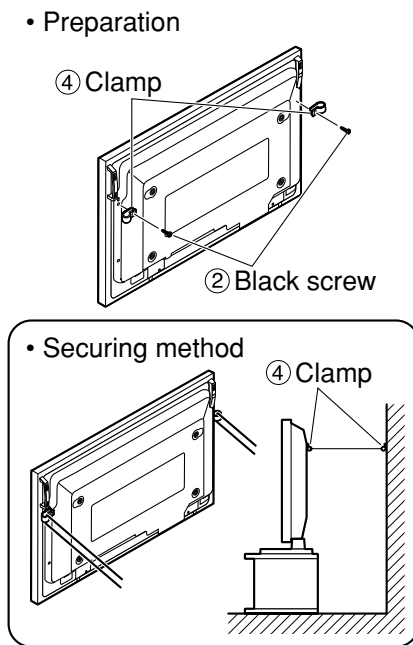
## Fall-prevention brackets



### If securing to the base



### If securing to a wall



\* Use strong wire or chain which is commercially available to secure the wide plasma display to a solid area of the wall or a pillar.

## Dimensions

Units : mm (inches)

