



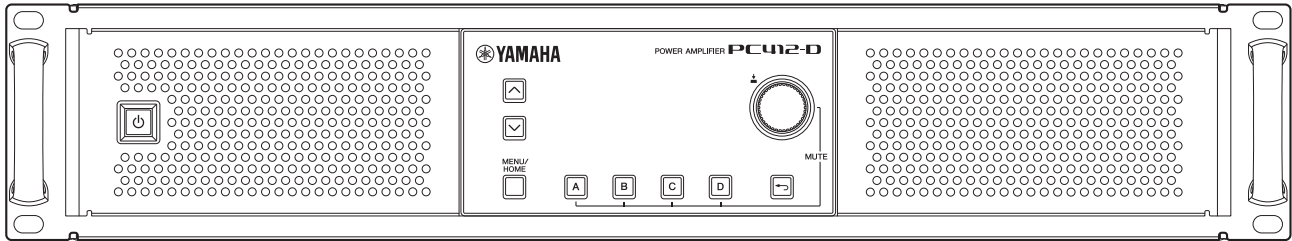
POWER AMPLIFIER

**PC412-D**

**PC412-DI**

**PC406-D**

**PC406-DI**



- EN Quick Start Guide
- DE Schnellstartanleitung
- FR Guide de démarrage rapide
- ES Guía de inicio rápido
- PT Guia de início rápido
- IT Guida rapida
- RU Краткое руководство
- ZH 快速入门指南
- KO 빠른 시작 가이드
- JA クイックスタートガイド

English

Deutsch

Français

Español

Português

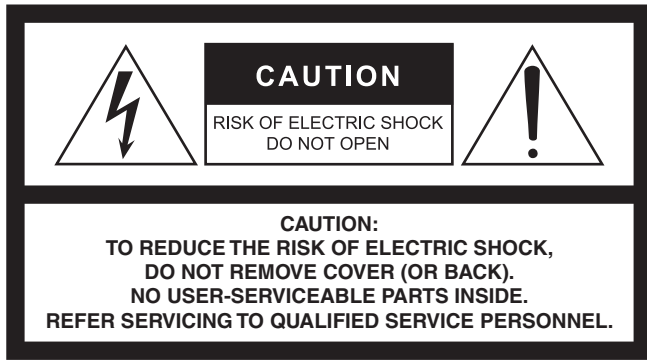
Italiano

Русский

中文

한국어

日本語



The above warning is located on the top of the unit.



L'avertissement ci-dessus est situé sur le dessus de l'unité.

## Explanation of Graphical Symbols Explication des symboles



The lightning flash with arrowhead symbol within an equilateral triangle is intended to alert the user to the presence of uninsulated "dangerous voltage" within the product's enclosure that may be of sufficient magnitude to constitute a risk of electric shock to persons. L'éclair avec une flèche à l'intérieur d'un triangle équilatéral est destiné à attirer l'attention de l'utilisateur sur la présence d'une « tension dangereuse » non isolée à l'intérieur de l'appareil, pouvant être suffisamment élevée pour constituer un risque d'électrocution.



The exclamation point within an equilateral triangle is intended to alert the user to the presence of important operating and maintenance (servicing) instructions in the literature accompanying the product.

Le point d'exclamation à l'intérieur d'un triangle équilatéral est destiné à attirer l'attention de l'utilisateur sur la présence d'instructions importantes sur l'emploi ou la maintenance (réparation) de l'appareil dans la documentation fournie.

## IMPORTANT SAFETY INSTRUCTIONS

- 1 Read these instructions.
- 2 Keep these instructions.
- 3 Heed all warnings.
- 4 Follow all instructions.
- 5 Do not use this apparatus near water.
- 6 Clean only with dry cloth.
- 7 Do not block any ventilation openings. Install in accordance with the manufacturer's instructions.
- 8 Do not install near any heat sources such as radiators, heat registers, stoves, or other apparatus (including amplifiers) that produce heat.
- 9 Do not defeat the safety purpose of the polarized or grounding-type plug. A polarized plug has two blades with one wider than the other. A grounding type plug has two blades and a third grounding prong. The wide blade or the third prong are provided for your safety. If the provided plug does not fit into your outlet, consult an electrician for replacement of the obsolete outlet.
- 10 Protect the power cord from being walked on or pinched particularly at plugs, convenience receptacles, and the point where they exit from the apparatus.
- 11 Only use attachments/accessories specified by the manufacturer.
- 12 Use only with the cart, stand, tripod, bracket, or table specified by the manufacturer, or sold with the apparatus. When a cart is used, use caution when moving the cart/apparatus combination to avoid injury from tip-over.
- 13 Unplug this apparatus during lightning storms or when unused for long periods of time.
- 14 Refer all servicing to qualified service personnel. Servicing is required when the apparatus has been damaged in any way, such as power-supply cord or plug is damaged, liquid has been spilled or objects have fallen into the apparatus, the apparatus has been exposed to rain or moisture, does not operate normally, or has been dropped.



### WARNING

TO REDUCE THE RISK OF FIRE OR ELECTRIC SHOCK, DO NOT EXPOSE THIS APPARATUS TO RAIN OR MOISTURE.

(UL60065\_03)

## PRÉCAUTIONS CONCERNANT LA SÉCURITÉ

- 1 Lire ces instructions.
- 2 Conserver ces instructions.
- 3 Tenir compte de tous les avertissements.
- 4 Suivre toutes les instructions.
- 5 Ne pas utiliser ce produit à proximité d'eau.
- 6 Nettoyer uniquement avec un chiffon propre et sec.
- 7 Ne pas bloquer les orifices de ventilation. Installer l'appareil conformément aux instructions du fabricant.
- 8 Ne pas installer l'appareil à proximité d'une source de chaleur comme un radiateur, une bouche de chaleur, un poêle ou tout autre appareil (y compris un amplificateur) produisant de la chaleur.
- 9 Ne pas modifier le système de sécurité de la fiche polarisée ou de la fiche de terre. Une fiche polarisée dispose de deux broches dont une est plus large que l'autre. Une fiche de terre dispose de deux broches et d'une troisième pour le raccordement à la terre. Cette broche plus large ou cette troisième broche est destinée à assurer la sécurité de l'utilisateur. Si la fiche équipant l'appareil n'est pas compatible avec les prises de courant disponibles, faire remplacer les prises par un électricien.
- 10 Acheminer les cordons d'alimentation de sorte qu'ils ne soient pas piétinés ni coincés, en faisant tout spécialement attention aux fiches, prises de courant et au point de sortie de l'appareil.
- 11 Utiliser exclusivement les fixations et accessoires spécifiés par le fabricant.
- 12 Utiliser exclusivement le chariot, le stand, le trépied, le support ou la table recommandés par le fabricant ou vendus avec cet appareil. Si l'appareil est posé sur un chariot, déplacer le chariot avec précaution pour éviter tout risque de chute et de blessure.
- 13 Débrancher l'appareil en cas d'orage ou lorsqu'il doit rester hors service pendant une période prolongée.
- 14 Confier toute réparation à un personnel qualifié. Faire réparer l'appareil s'il a subi tout dommage, par exemple si la fiche ou le cordon d'alimentation est endommagé, si du liquide a coulé ou des objets sont tombés à l'intérieur de l'appareil, si l'appareil a été exposé à la pluie ou à de l'humidité, si l'appareil ne fonctionne pas normalement ou est tombé.



### AVERTISSEMENT

POUR RÉDUIRE LES RISQUES D'INCENDIE OU DE DÉCHARGE ÉLECTRIQUE, N'EXPOSEZ PAS CET APPAREIL À LA PLUIE OU À L'HUMIDITÉ.

(UL60065\_03)

**COMPLIANCE INFORMATION STATEMENT  
(Supplier's declaration of conformity procedure)**

Responsible Party : Yamaha Corporation of America  
Address : 6600 Orangethorpe Ave., Buena Park, Calif. 90620  
Telephone : 714-522-9011  
Type of Equipment : POWER AMPLIFIER  
Model Name : PC412-D, PC406-D, PC412-DI, PC406-DI

This device complies with Part 15 of the FCC Rules.  
Operation is subject to the following two conditions:  
1) this device may not cause harmful interference, and  
2) this device must accept any interference received including interference that may cause undesired operation.

\* This applies only to products distributed by Yamaha Corporation of America. (FCC SDoC)

**FCC INFORMATION (U.S.A.)**

- 1. IMPORTANT NOTICE: DO NOT MODIFY THIS UNIT!**  
This product, when installed as indicated in the instructions contained in this manual, meets FCC requirements. Modifications not expressly approved by Yamaha may void your authority, granted by the FCC, to use the product.
- 2. IMPORTANT:** When connecting this product to accessories and/or another product use only high quality shielded cables. Cable/s supplied with this product MUST be used. Follow all installation instructions. Failure to follow instructions could void your FCC authorization to use this product in the USA.
- 3. NOTE:** This product has been tested and found to comply with the requirements listed in FCC Regulations, Part 15 for Class "A" digital devices. Compliance with these requirements provides a reasonable level of assurance that your use of this product, in a commercial environment, will not result in harmful interference with other electronic devices. However, operation of this product in a residential area is likely to cause interference in some form. In this case you, the user, bear the responsibility of correcting this condition. This product generates/uses radio frequencies and, if not installed and used according to the instructions found in the

users manual, may cause interference harmful to the operation of other electronic devices. Compliance with FCC regulations does not guarantee that interference will not occur in all installations. If this product is found to be the source of interference, which can be determined by turning the product "OFF" and "ON," please try to eliminate the problem by using one of the following measures:

Relocate either the product generating the interference or the device that is being affected by the interference.

Utilize power outlets that are on different branch (circuit breaker or fuse) circuits or install AC line filter/s.

In the case of radio or TV interference, relocate/reorient the antenna. If the antenna lead-in is 300 ohm ribbon lead, change the lead-in to co-axial type cable.

If these corrective measures do not produce satisfactory results, please contact the local retailer that is authorized to distribute this type of product. If you can not locate the appropriate retailer, please contact Yamaha Corporation of America, Electronic Service Division, 6600 Orangethorpe Ave, Buena Park, CA90620

The above statements apply ONLY to those products distributed by Yamaha Corporation of America or its subsidiaries.

\* This applies only to products distributed by Yamaha Corporation of America. (class A)

A 급 기기 (업무용 방송통신기자재)  
이 기기는 업무용(A 급) 전자파적합기기로서 판매자 또는 사용자는 이 점을 주의하시기 바라며, 가정외의 지역에서 사용하는 것을 목적으로 합니다.

(class a korea)

This product contains a battery that contains perchlorate material.  
Perchlorate Material—special handling may apply,  
See [www.dtsc.ca.gov/hazardouswaste/perchlorate](http://www.dtsc.ca.gov/hazardouswaste/perchlorate).

\* This applies only to products distributed by YAMAHA CORPORATION OF AMERICA. (Perchlorate)

# PRECAUTIONS

## PLEASE READ CAREFULLY BEFORE PROCEEDING

Please keep this manual in a safe place for future reference.

This product is a power amplifier used for fixed installations such as a hall or church, or for speeches or live events indoor or outdoor. Do not use for any purposes other than the one intended. Those who are unfamiliar with handling or those who can not handle according to this manual such as children, should be supervised by responsible persons to ensure safety.

If not connected to the maximum external branch circuit protection of rated amps. specified as below, this device or the property of external branch circuit may be damaged.

This device shall be connected to a maximum external branch circuit protection of 30 amps, for US and Canada, and 32 amps, for EU and other countries.



## WARNING

**Always follow the basic precautions listed below to avoid the possibility of serious injury or even death from electrical shock, short-circuiting, damages, fire or other hazards. These precautions include, but are not limited to, the following:**

### If you notice any abnormality

- If any of the following problems occur, immediately turn off the power switch and disconnect the electric plug from the outlet.
  - The power cord or plug becomes frayed or damaged.
  - Unusual smells or smoke are emitted.
  - Some object, or water has been dropped into the product.
  - There is a sudden loss of sound during use of the product.
  - Cracks or other visible damage appear on the product.
 Then have the product inspected or repaired by qualified Yamaha service personnel.

### Power supply/Power cord

- Do not place the power cord near heat sources such as heaters or radiators, and do not excessively bend or otherwise damage the cord, place heavy objects on it, or place it in a position where anyone could walk on, trip over, or roll anything over it.
- Only use the voltage specified as correct for the product. The required voltage is printed on the name plate of the product.
- Use only the supplied power cord/plug.  
If you intend to use the product in an area other than in the one you purchased, the included power cord may not be compatible. Please check with your Yamaha dealer.
- Check the electric plug periodically and remove any dirt or dust which may have accumulated on it.

- Make sure to fully insert the electric plug to prevent electric shocks or fire.
- When setting up the product, make sure that the AC outlet you are using is easily accessible. If some trouble or malfunction occurs, immediately turn off the power switch and disconnect the plug from the outlet. Even when the power switch is turned off, as long as the power cord is not unplugged from the wall AC outlet, the product will not be disconnected from the power source.
- Remove the electric plug from the outlet when the product is not to be used for extended periods of time.
- Do not touch the product or the electric plug during an electrical storm.
- Be sure to connect to an appropriate outlet with a protective grounding connection. Improper grounding can result in electrical shock, fire, or damage.

### Do not open

- This product contains no user-serviceable parts. Do not attempt to disassemble the internal parts or modify them in any way.

### Water warning/Fire warning

- Do not expose the product to rain, use it near water or in damp or wet conditions, or place on it any containers (such as vases, bottles or glasses) containing liquids which might spill into any openings.
- Never insert or remove an electric plug with wet hands.
- Do not place any burning items or open flames near the product, since they may cause a fire.
- Do not use aerosols or spray-type chemicals that contain combustible gas for cleaning or lubrication. The combustible gas will remain inside the unit, which may cause explosion or fire.

### Hearing loss

- Before connecting the product to other devices, turn off the power for all devices. Also, before turning the power of all devices on or off, make sure that all volume levels are set to the minimum. Failing to do so may result in hearing loss, electric shock, or device damage.
- When turning on the AC power in your audio system, always turn on the product LAST, to avoid hearing loss and speaker damage. When turning the power off, the product should be turned off FIRST for the same reason.

## **CAUTION**

**Always follow the basic precautions listed below to avoid the possibility of physical injury to you or others. These precautions include, but are not limited to, the following:**

### **Power supply/Power cord**

- When removing the electric plug from the product or an outlet, always hold the plug itself and not the cord. Pulling by the cord can damage it.

### **Location and connection**

- Do not place the product in an unstable position or a location with excessive vibration, where it might accidentally fall over and cause injury.
- Keep the device out of reach of children. This product is not suitable for use in locations where children are likely to be present.
- Do not block the vents. This product has ventilation holes at the front/rear to prevent the internal temperature from becoming too high. In particular, do not place the product on its side or upside down. Inadequate ventilation can result in overheating, possibly causing damage to the product(s), or even fire.
- When attempting to dissipate heat on the product, when installing it:
  - Do not cover it with any cloth.
  - Do not install it on a carpet or rug.
  - Make sure the top surface faces up; do not install on its sides or upside down.
  - Do not use the product in a confined, poorly-ventilated location.

Inadequate ventilation can result in overheating, possibly causing damage to the product(s), or even fire.
- If the product is mounted in an EIA standard rack, carefully read the section "Precautions for rackmounting" on page 9. Inadequate ventilation can result in overheating, possibly causing damage to the product(s), malfunction, or even fire. If this product is to be used in a small space other than an EIA-standard rack, make sure that there is adequate space around the product: at least 40 cm above, 10 cm at the sides and 15 cm behind.
- Do not place the product in a location where it may come into contact with corrosive gases or salt air. Doing so may result in malfunction.
- Before moving the product, remove all connected cables.
- Use only speaker cables for connecting speakers to the speaker jacks. Use of other types of cables may result in fire.

### **Maintenance**

- Inspect the cooling fan air filter and clean it periodically (see page 16). Dust and dirt can seriously degrade the effectiveness of the cooling fan and result in malfunction or fire.
- Remove the power plug from the AC outlet when cleaning the product.

### **Handling caution**

- Do not insert your fingers or hands in any gaps or openings on the product (vents, panel, etc.).
- Do not rest your weight on the product or place heavy objects on it.

### **Internal battery for clock display**

- Do not replace the internal battery by yourself. Doing so may cause an explosion and/or damage to the product(s). When the internal battery needs to be replaced, "Low Battery" or "No Battery" will appear on the display. In this case, contact your Yamaha dealer and have qualified Yamaha service personnel replace the internal battery.

## NOTICE

To avoid the possibility of malfunction/ damage to the product, damage to data, or damage to other property, follow the notices below.

### ■ Handling and maintenance

- Do not use the product in the vicinity of a TV, radio, or other electric products. Otherwise, the product, TV, or radio may generate noise.
- Do not expose the product to excessive dust or vibration, or extreme cold or heat, in order to prevent the possibility of panel disfiguration, unstable operation, or damage to the internal components.
- Do not install in locations where temperature changes are severe. Otherwise, condensation may form on the inside or the surface of the product, causing it to break.
- If there is reason to believe that condensation might have occurred, leave the product for several hours without turning on the power until the condensation has completely dried out, in order to prevent possible damage.
- Do not use this product for any purpose other than driving loudspeakers, since damage may result.
- Do not place vinyl, plastic or rubber objects on the product, since this might cause alteration or discoloration of the panel.
- When cleaning the product, use a dry and soft cloth. Do not use paint thinners, solvents, cleaning fluids, or chemical-impregnated wiping cloths, since this might cause alteration or discoloration.
- Do not apply oil, grease, or contact cleaner to the faders. Doing so might cause problems with electrical contact or fader motion.

This is a class A product. Operation of this product in a residential environment could cause radio interference.

## Information

### ■ About functions/data bundled with the product

- Even when the [⏻] (Standby/On) switch is in standby status (power lamp is off/ display is off), electricity is still flowing to the product at the minimum level. When you are not using the product for a long time, make sure you unplug the power cord from the wall AC outlet.
- This product/This software uses Dante Broadway. Refer to the Audinate website (English) for details on the open-source licenses for the particular software. <https://www.audinate.com/software-licensing>
- XLR-type connectors are wired as follows (IEC60268 standard): pin 1: ground, pin 2: hot (+), and pin 3: cold (-).

### ■ About this manual

- The illustrations and screens as shown in this manual are for instructional purposes only.
- Windows is a registered trademark of Microsoft(R) Corporation in the United States and other countries.
- The company names and product names in this manual are the trademarks or registered trademarks of their respective companies.
- Software may be revised and updated without prior notice.

### ■ About disposal

- This product contains recyclable components. When disposing of this product, please contact the appropriate local authorities.

#### European models

Purchaser/User Information specified in EN55103-2:2009.  
Conforms to Environments: E2, E3 and E4

Yamaha cannot be held responsible for damage caused by improper use or modifications to the product, or data that is lost or destroyed.

The model number, serial number, power requirements, etc., may be found on or near the name plate, which is at the top of the unit. You should note this serial number in the space provided below and retain this manual as a permanent record of your purchase to aid identification in the event of theft.

**Model No.**

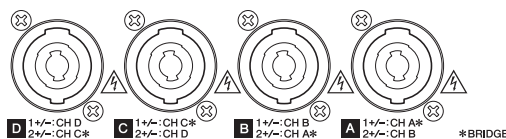
---

**Serial No.**

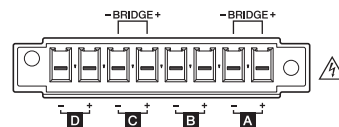
---

(top\_en\_01)

#### PC-D series



#### PC-DI series



This ⚠ mark indicates a dangerous electrically live terminal. When connecting an external wire to this terminal, it is necessary either to have "a person who have received appropriate guidance on handling" make the connection or to use leads or a cord that have been manufactured in such a way that the connection can be made simply and without problem.

(hazardous)

## Introduction

---

Thank you for purchasing a Yamaha PC-D series or PC-DI series power amplifier (see lineup table below). This product is a power amplifier used for fixed installations such as a hall or church, or for speeches or live events indoor or outdoor. This quick start guide is intended to be read by the installer or system designer; it explains settings and installation. In order to take full advantage of this product's numerous functions, please read this quick start guide before use. After reading, keep it safe for future reference.

### NOTE

Unless otherwise specified, the illustrations show the PC412-D and PC406-D.

### PC-D and PC-DI series lineup

Output specifications	Standard model (-D)	Model for installed systems (-DI)
1200W × 4	PC412-D	PC412-DI
600W × 4	PC406-D	PC406-DI

## Contents

---

Precautions.....	4	Speaker cable selection .....	10
Introduction .....	7	Connections.....	10
Features.....	7	Settings on the unit.....	13
Included items (please check).....	8	Returning to the factory settings (initialization).....	15
Documentation .....	8	Installing the handles.....	16
About ProVisionaire Design.....	8	Cleaning the air filters.....	16
Firmware updates .....	8	Troubleshooting .....	16
Precautions for rackmounting .....	9	General specifications.....	17
Filter element and grill installation.....	9	Dimensions (English only) .....	150

## Features

---

- Four-channel power amplifier with both high audio quality and high power
- Equipped with a variety of signal processing functionality such as PEQ and FIR filter
- 20×8 matrix function allows flexible audio routing
- Allows high-quality digital audio transmission via a Dante network
- Supports software such as ProVisionaire Design and ProVisionaire Control for each phase of design and operation
- Supports both high-impedance connections and low-impedance connections (PC-DI series only)

## Included items (please check)

---

- Power cord × 1
- Handles × 2
- Grill (L) × 1
- Grill (R) × 1
- Filter element (L) × 1
- Filter element (R) × 1
- Machine screws for handle (M5 × 12 mm) × 4
- Euroblock plug mini for GPI (8-pin) × 2
- Euroblock plug for analog input (3-pin) × 4 (PC-DI series only)
- Euroblock plug for speaker output (8-pin) × 1 (PC-DI series only)
- Cable ties × 4 (PC-DI series only)
- Quick start guide (this document)

## Documentation

---

- **Quick start guide (this document)**

This explains installation and basic use.

- **Owner's manual (HTML)**

This explains all items necessary for setup and operation.

- **ProVisionaire Design user guide (HTML)**

- **ProVisionaire Design component guide (HTML)**

These documents explain how to use the ProVisionaire Design software to control this product from a computer.

## About ProVisionaire Design

---

ProVisionaire Design is a software application for Windows that enables you to design and configure an integrated audio system consisting of Yamaha products. You can configure audio processing settings that will optimize various situations and applications by designing audio routings and adjusting parameters for each component.

You can download ProVisionaire Design from the Yamaha Pro Audio website.

<https://www.yamahaproaudio.com/>

## Firmware updates

---

This product is designed to allow its firmware to be updated in order to improve its operability, add functionality, or fix problems. This product has the following two firmware items.

- Firmware of the unit itself
- Firmware of the Dante module

The process of updating the firmware of the unit itself is performed from ProVisionaire Design. The process of updating the firmware of the Dante module is performed from Dante Updater.

For details on the update procedure and settings for the unit, refer to "ProVisionaire Design user guide."

### **NOTE**

It will be necessary to update other devices depending on the version of each device in the Dante network. For details, refer to the firmware compatibility chart provided on the above Yamaha website.



## Precautions for rackmounting

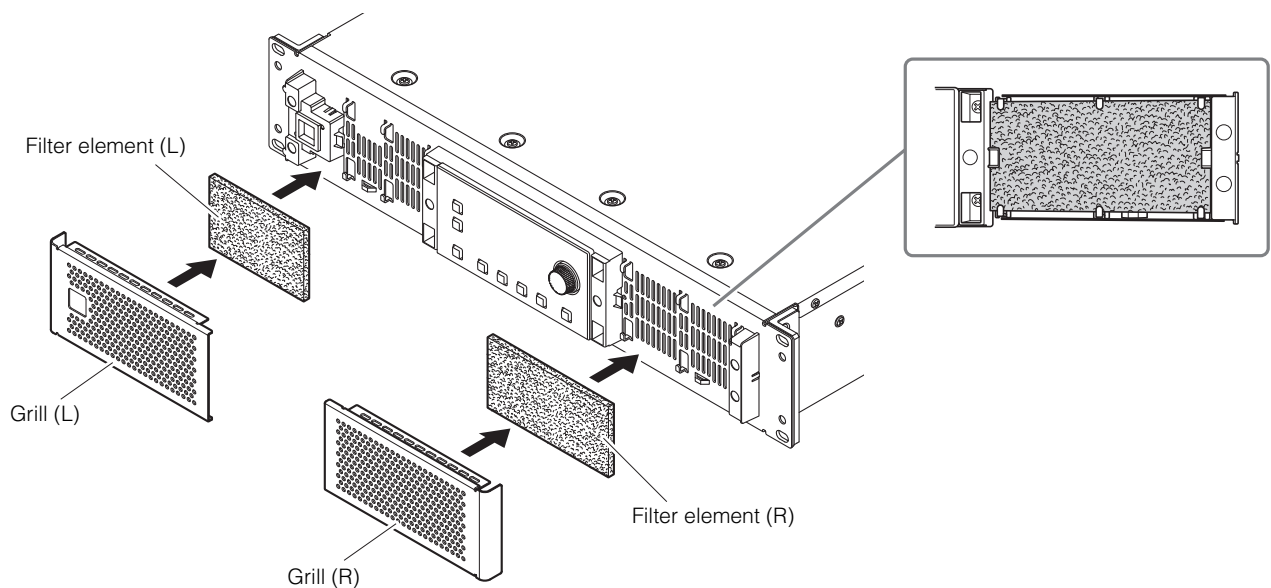
This product is guaranteed to operate in a temperature range of 0–40°C. If only this product is being mounted in an EIA standard rack, multiple units can be mounted without leaving space between them. If this product is being mounted in an EIA standard rack together with other devices, heat from each device might cause the temperature inside the rack to rise, preventing this product from operating to its full potential. To prevent heat buildup inside this product, you must observe the following conditions when mounting it in a rack.

- If this product is mounted together with devices that tend to become hot, such as power amplifiers made by other manufacturers, leave 1U or more of space between this product and other devices. Install a ventilation panel in this space or leave it open to ensure sufficient airflow.
- Since this product takes in air at the front and exhausts it at the back, you should not rack-mount it together with devices that take in air at the back and exhaust it at the front.
- Leave the back panel of the rack open, and keep the rack at least 10 cm away from the wall or ceiling to ensure sufficient airflow. If the back panel of the rack cannot be left open, attach a commercially available fan kit or other forced air exchange device. If a fan kit is installed, closing the back panel of the rack might increase the heat dissipation effect in some cases. For details, refer to the owner's manual of your rack and fan kit.

## Filter element and grill installation

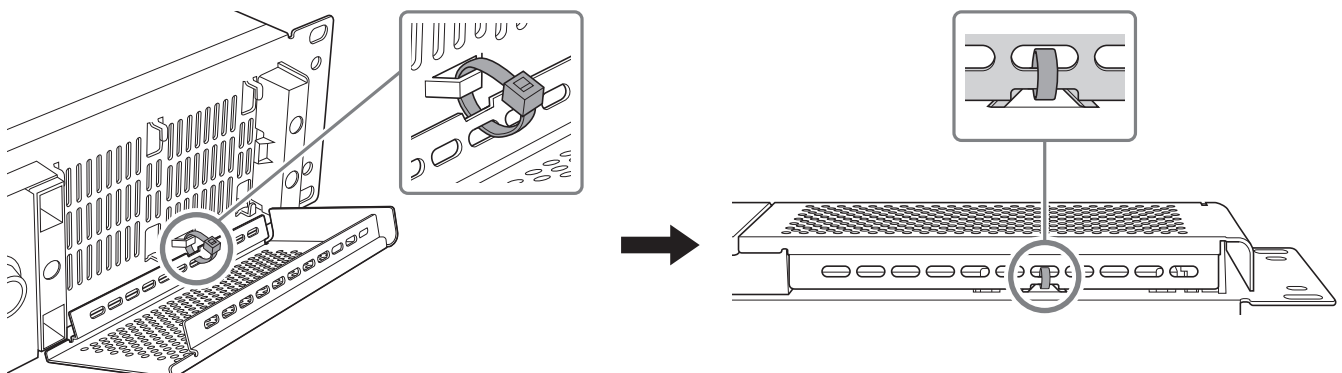
Install the included filter elements and grills. Note that the size of the filter elements differs between left and right. The grills are held in place magnetically, and can be easily attached.

Fit the filter elements into the brackets of the unit; then attach the grill (L) to the left side of the unit's front panel and attach the grill (R) to the right side of the front panel.



### NOTE

To prevent the grills from being lost, you can attach the grills to the ventilation openings using a cable tie or something similar.



# Speaker cable selection



## WARNING

The output jacks of the power amplifier carry high voltage. When connecting this unit to speakers, you must use cables that at a minimum satisfy the requirements of NEC (National Electrical Code) UL13 CL3 (300V or less).

To minimize power loss or damping factor loss in speaker cables, refer to the following table and use speaker cable of the appropriate gauge.

## NOTE

The Euroblock connectors of PC-DI series should be used with AWG24 (0.2sq)–AWG8 (8sq) cables.

Load impedance (Ohms)	2	2.6	4	8
Cable	Maximum cable length (m)			
2.5mm <sup>2</sup> (AWG 13)	20	28	40	80
4mm <sup>2</sup> (AWG 11)	32	40	64	128
6mm <sup>2</sup> (AWG 9)	48	64	96	192

# Connections

## Audio input connections

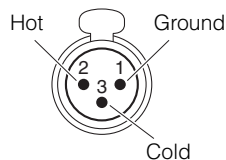


## WARNING

Unplug the device from mains before connecting or disconnecting any cable to it.

### ■ For the PC-D series

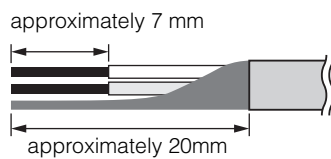
Connect the rear panel XLR jacks to the balanced outputs of the mixer, and input analog signals. The jack polarity is shown in the illustration to the right (IEC 60268).



### ■ For the PC-DI series

- When attaching a cable to a Euroblock plug, strip the wire as shown in the illustration, and use stranded wire to make connections. In the case of Euroblock wiring, stranded wire may break more easily due to metal fatigue caused by the weight or vibration of the cable. Use the included cable ties to secure the cables to the tab.

#### Reference dimensions



## CAUTION

When using stranded wire, do not tin the strands with solder.

- If connections will be frequently plugged and unplugged, as in a portable setup, we recommend that you use rod terminals equipped with insulating sleeves. Use rod terminals whose conductor section is as shown below.

**5.08 mm Euroblock 6-pin**

External diameter 1.6 mm or less, and length approximately 7 mm (such as the A10 5-6WH made by the Phoenix Contact company)

## Dante network connections

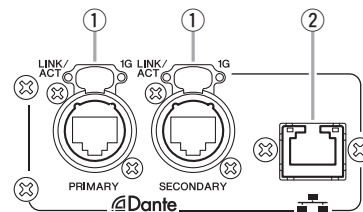
In addition to analog input and output, this product uses Dante as the protocol for conveying digital audio signals.

If connecting to a Dante device, use Dante Controller to make settings. Dante Controller is application software for setting-up a Dante network and for routing the audio.

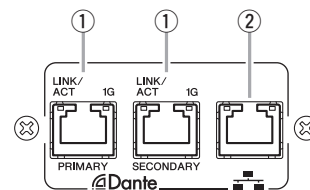
More information is posted on the following website.

<https://www.yamahaproaudio.com/>

### PC-D series



### PC-DI series



① **Dante [PRIMARY] connector**  
**Dante [SECONDARY] connector**

These etherCON (RJ45) connectors allow connection with Dante devices such as a CL series console using standard Ethernet cables (CAT5e or better recommended). For the PC-D series, use RJ-45 connectors that comply with Neutrik Corporation's etherCON CAT5. For the PC-DI series, use RJ-45 connectors.

**NOTE**

To prevent electromagnetic interference, use STP (Shielded Twisted Pair) cables. For STP cables, use conductive tape to securely connect the metal portion of the connector to the shielded portion of the cable.

② **NETWORK connector**

This is an RJ-45 connector for connection to a computer via an Ethernet cable (CAT5e or better is recommended). This is used mainly to monitor and control multiple connected devices from the dedicated "ProVisionaire Design" application program.

**NOTE**

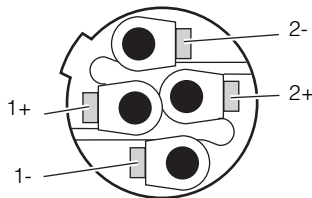
To prevent electromagnetic interference, use STP (Shielded Twisted Pair) cables.

**Speaker connections**

■ **For the PC-D series**

This product uses four Speakon output jacks (NL4) to connect speakers.

NeutrikNL4 plug



The outputs of this product can be bridged in pairs of two channels. Since there are no dedicated outputs for use in bridge mode, take care to observe the following pin assignments.

		SINGLE	BRIDGE
NL4 A	1+	CH A+	CH A+
	1-	CH A-	CH A-
	2+	CH B+	—
	2-	CH B-	—
NL4 B	1+	CH B+	—
	1-	CH B-	—
	2+	CH A+	CH A+
	2-	CH A-	CH A-
NL4 C	1+	CH C+	CH C+
	1-	CH C-	CH C-
	2+	CH D+	—
	2-	CH D-	—
NL4 D	1+	CH D+	—
	1-	CH D-	—
	2+	CH C+	CH C+
	2-	CH C-	CH C-



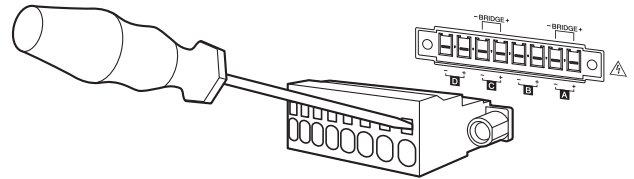
**WARNING**

Do not touch the pins of unused channels, or allow them to short. High voltage is present even at unused pins.

■ **For the PC-DI series**

This product uses Euroblock connectors (7.6 mm 8-pin) for speaker connections.

Insert the tip of a screwdriver into the square hold located on the top of the cable insertion opening. Inserting the screwdriver and lifting the internal spring allows the cable to be inserted or removed.



The outputs of this product can be bridged in pairs of two channels.

Since there are no dedicated outputs for use in bridge mode, take care to observe the following pin assignments.

		SINGLE	BRIDGE
EURO A	+	CH A+	CH A+
	-	CH A-	CH A-
EURO B	+	CH B+	—
	-	CH B-	—
EURO C	+	CH C+	CH C+
	-	CH C-	CH C-
EURO D	+	CH D+	—
	-	CH D-	—



**WARNING**

Do not touch the pins of unused channels, or allow them to short. High voltage is present even at unused pins.

## High-impedance connections (PC-DI series only)

The PC-DI series also supports high impedance (100V/70V line).

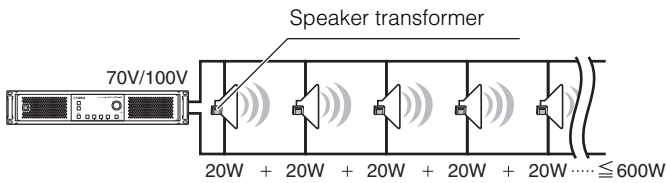
### ■ Number of speaker systems that can be driven

As long as the total rated input of the speaker systems used is within the output value of the power amplifier, any number of speaker systems can be connected in parallel.

When using high-impedance connections, the rated input of the speaker system is determined by the settings of the speaker transformer used with the speaker system.

If using the 600W output PC406-DI with a speaker system whose rated input is 20W due to the attached speaker transformer, calculations(\*) show that we can use up to 30 speaker units per channel, and up to 120 speaker system units for the total of four channels. A combination of speaker systems with different rated input can also be connected.

\* In consideration of impedance variance in the primary side of the transformer, future change in transformer tap, and future addition of speakers, we recommend that you allow a margin of about 20%.



## Power supply connection



### WARNING

You must use the included power cord. Do not use the included power cord with any other product. Doing so may cause malfunction, overheating, and fire.



### CAUTION

Before connecting or disconnecting the power cord, you must turn off the power switch.

### NOTICE

Position the power cord so that the rear exhaust does not contact it directly. The temperature of the rear exhaust might cause the power cord to deform.

1. Connect the included power cord. First connect the power cord to the unit, and then connect the power plug to an electrical outlet.

When connecting the power cord, insert it all the way, and then twist it clockwise until you hear the click. When removing the power cord, pull the latch toward yourself, turn the connector counterclockwise, and remove it.

AC IN connector



Power cord



to AC outlet

### NOTE

Rapidly turning the unit on and off in succession by power plug can cause it to malfunction. After turning the unit off by power plug, wait for more than five seconds before turning it on again.

## Switching the power between standby/on



### CAUTION

To prevent loud noise from being emitted from the speaker when the power is turned on, power-on each unit in the order of audio sources, mixer, and finally the amplifier. When turning the power off, reverse this order.

### ■ Standby → power on

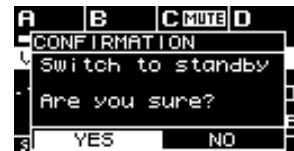
1. Hold down the power switch for two seconds or longer.

The power turns on, and the button changes from blinking to lit (green). The HOME screen (VOLUME) appears.

### ■ Power on → standby

1. Press the power switch.

The display shows a confirmation message.



2. Turn the main knob to select "YES," and then press the main knob to confirm; the power switches to standby mode.

### NOTE

The settings at the time the power was turned off (the state when disconnected from the AC outlet) are saved. The next time the power is turned on, the unit starts up with those settings.

### NOTICE

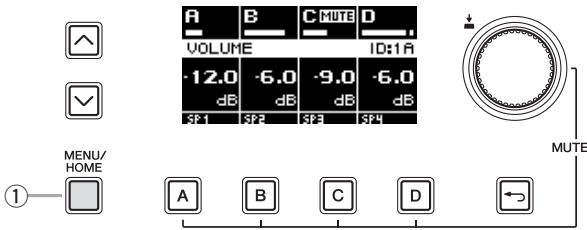
If this product is connected to an AC outlet, it is in standby mode, and current is flowing to the product at the minimum level.

If you will not be using this product for an extended period of time, be sure to disconnect the power supply plug from the AC outlet.

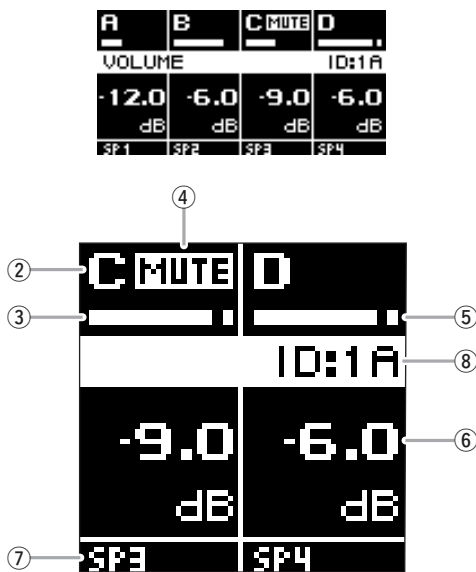
# Settings on the unit

## About the front panel

Use the ① MENU/HOME button located at the left side of the display to switch between the HOME screen and the MENU screen.



### HOME screen



The display shows ② channel, ③ meter, ④ mute indicator, ⑤ clip indicator, ⑥ volume, ⑦ channel name, and ⑧ UNIT ID.

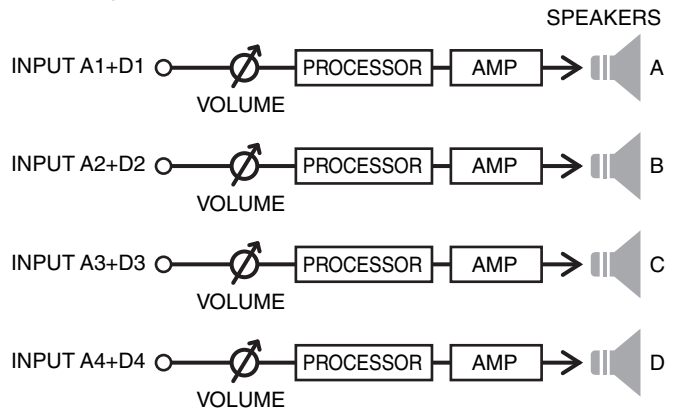
### MENU screen



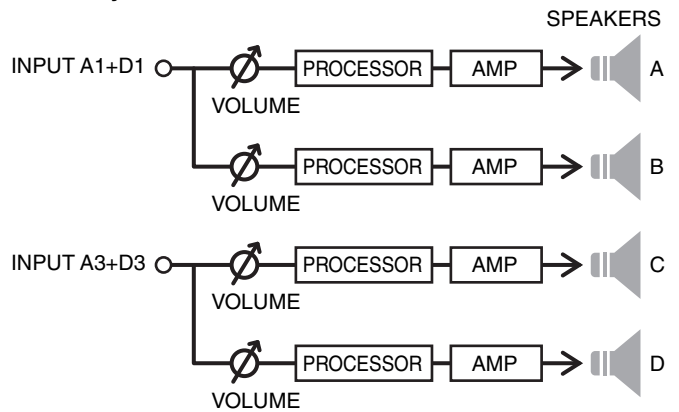
## Selecting an amplifier preset

Five types of factory preset are provided. Recall an amplifier preset as appropriate for your system.

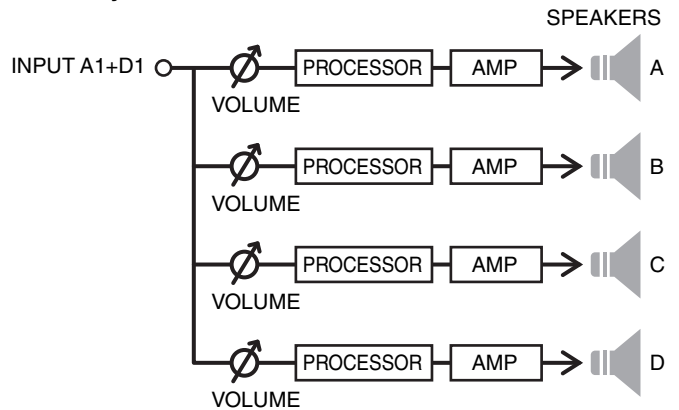
### Factory Preset A: 4in-4out



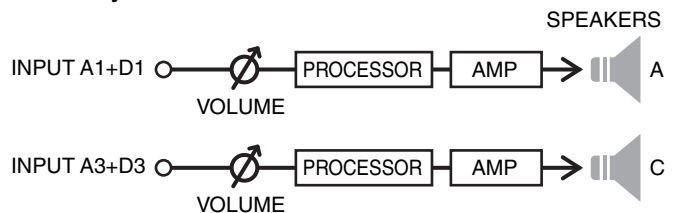
### Factory Preset B: 2in-4out



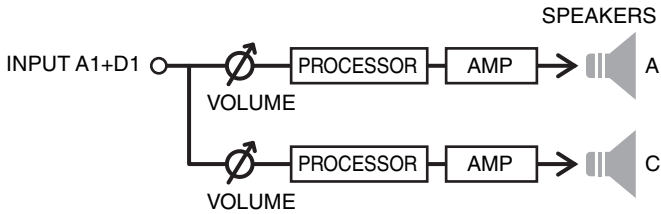
### Factory Preset C: 1in-4out



### Factory Preset D: 2in-2out BRIDGE



● **Factory Preset E: 1in-2out BRIDGE**



Here we explain how to recall a factory preset.

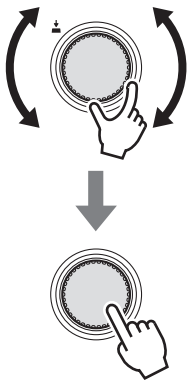


**WARNING**

For safety, do not input sound while recalling an amplifier preset. The volume might change significantly.

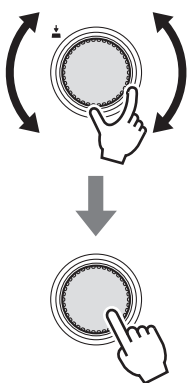
1. In the MENU screen, turn the main knob to select “AMP PRESET,” and press the main knob to confirm.

The AMP PRESET screen appears.



2. In the AMP PRESET screen, turn the main knob to select the amplifier preset that you want to recall, and press the main knob to confirm.

A screen for selecting the operation appears.

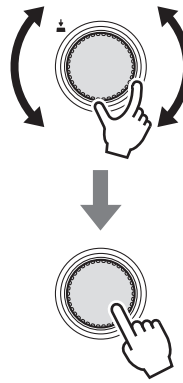


Lock symbol :  
A protected amplifier preset



The currently selected amplifier preset

3. Turn the main knob to select “RECALL,” and press the main knob to recall.



Send a low-level audio signal to this unit, and verify that undistorted sound is output from each speaker or subwoofer. When you have verified this, the system is ready for use. Use additional settings such as gain, delay, and EQ to add finishing touches to the sound. For details on operation, refer to “PC412-D/PC406-D/PC412-DI/PC406-DI Owner’s Manual (HTML).”

**Volume operations**

1. In the HOME screen, press a channel select key to select the channel whose volume you want to control, and then turn the main knob.

A	B	C MUTE	D
VOLUME			ID:1A
-12.0	-6.0	-9.0	-6.0
dB	dB	dB	dB
3F1	3F2	3F3	3F4

**Mute operations**

1. While holding down the channel select key of the channel that you want to mute, press the main knob.

The mute setting alternately turns on/off for the selected channel.

To defeat mute, once again press the channel select key of the muted channel simultaneously with the main knob. While muted, the channel LED is lit red, and the indication [MUTE] appears in the upper part of the HOME screen.

## Returning to the factory settings (initialization)

There are two ways to initialize this product.

### Initialization by MENU screen → UTILITY → selecting INITIALIZE

1. In the MENU screen, turn the main knob to select “UTILITY,” and press the main knob to confirm.

The UTILITY screen appears.



2. In the UTILITY screen, turn the main knob to select “INITIALIZE,” and press the main knob to confirm.

The INITIALIZE screen appears.



3. Turn the main knob to choose the type of settings that will be initialized (multiple selections are possible), and press the main knob to confirm.

The following table shows what can be initialized.

<b>AMP/PROCESSING</b>	PROCESSING SETUP UTILITY
<b>AMP PRESET</b>	AMP PRESET
<b>NETWORK</b>	IP SETTING DANTE SETTINGS, UNIT ID

#### NOTE

AMP/PROCESSING is always initialized.

4. When you have finished making selections, turn the main knob to move to [OK], and press the main knob to confirm.
5. In the confirmation screen, turn the main knob to select “YES,” and press the main knob to confirm.

When initialization is completed, the unit restarts automatically, and then enters the power-on state.

### Initialization if you have forgotten the PIN code, etc.

If you are unable to select INITIALIZE in the UTILITY screen, for example if you have forgotten the PIN code for the panel lock, you can initialize using the following method.

1. Disconnect the unit from the AC outlet.
2. While holding down channel select key [A] and the [←→] (back) key, connect the unit to the AC outlet.

The confirmation screen appears.

3. Press the main knob to confirm.

Initialization begins. During initialization, all channel indicators are lit red.

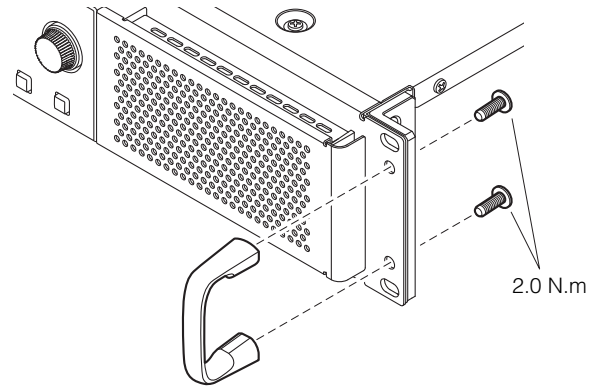
When initialization is completed, all channel indicators are lit green, the unit restarts automatically, and then enters the standby state.



## Installing the handles

Install the included handles as necessary.

1. Align the handles with the holes on the unit, and install it using the included screws (4 pcs.).



## Cleaning the air filters

To ensure that appropriate cooling air can enter, clean the filter elements as follows if they become clogged.

1. Make sure that the amplifier is powered-off.
2. Disconnect the power cord from the AC outlet.
3. Detach the grill.
4. Remove the filter element and wash it with water. If the filter element is heavily soiled, use dishwashing liquid.
5. Allow the filter element to dry completely.
  - Attaching the filter element while it is still wet will cause malfunctions.
6. Place the filter element on the cooling vent, and attach the grill.
 

The replacement part numbers for the filter elements are as follows.

  - **Filter element (L):** VAS54300
  - **Filter element (R):** VAS54400

## Troubleshooting

Problem	Possible cause	Action
Power does not turn on	The power on/off interval was too short	Turn the power off, wait approximately 5 seconds, and then turn it on.
No sound from the speakers	Cables are not connected correctly	Correctly connect the audio input jacks and speaker output jacks.
	MUTE is on	If the channel LED is lit red, MUTE is on. Cancel muting by simultaneously pressing the channel select key of the muted channel and the main knob.
	Protection circuit has operated	If the channel LED is blinking red, the protection circuit might be operating. Refer to the alert messages in the owner's manual (HTML).
	There are too many daisy-chained Dante devices for the latency setting	With the default setting (0.5 msec), daisy-chain no more than 5 units. If 6 or more units are to be connected, use an L2 switch (that supports gigabit Ethernet) to branch the network.
Panel operations are not possible	Panel lock is applied	Enter the PIN specified for the panel lock function, or if you have forgotten the PIN code, initialize the unit to defeat panel lock.

If taking the above actions does not solve the problem, contact your Yamaha dealer.



# General specifications

		PC412-D	PC412-DI	PC406-D	PC406-DI
Output power 1kHz, non-clip, 20 msec burst, all channels driven	16Ω	600 W × 4	600 W × 4	300 W × 4	300 W × 4
	8Ω	1200 W × 4	1200 W × 4	600 W × 4	600 W × 4
	4Ω	1900 W × 4	1900 W × 4	900 W × 4	900 W × 4
	2Ω	2500 W × 4	2500 W × 4	1300 W × 4	1300 W × 4
	8Ω (BRIDGE mode)	3800 W × 2	3800 W × 2	1800 W × 2	1800 W × 2
	4Ω (BRIDGE mode)	5000 W × 2	5000 W × 2	2600 W × 2	2600 W × 2
	Hi-Z (70 V Mode)	—	1200 W × 4	—	600 W × 4
	Hi-Z (100 V Mode)	—	1200 W × 4	—	600 W × 4
Amplifier Type (Output Circuitry)		Class D, Single ended output			
THD+N	8Ω, 1 kHz, 10 W, all channels driven	0.01%			
	4Ω, 1 kHz, half power, all channels driven	0.1%			
Frequency response	8Ω, 1W, 20Hz to 20kHz (HPF THRU)	+0.5, -1.5 dB			
Crosstalk	8Ω, 1 kHz, half power, input 150Ω shunt A-weighted	≤ -60 dB			
S/N ratio	8Ω, gain setting = 32 dB, A-weighted	112 dB	112 dB	109 dB	109 dB
Maximum input voltage		+28 dBu	+28 dBu	+25 dBu	+28 dBu
Input impedance		20 kΩ (balanced)			
Dante interface	Channel count	16 IN with Dante Redundancy, 16 OUT			
	Sampling frequency	96/88.2/48/44.1 kHz			
AC Power Requirements	Voltage *1	100–240 V 50 Hz/60 Hz			
Power consumption	1/8 MAX power, 2Ω, pink noise at all channels	1850 W	1850 W	1050 W	1100 W
	Idle	190 W	190 W	165 W	190 W
	Standby	120 V model/9 W, 230 V model/12 W			
Operating temperature		0°C – +40°C			
Storage temperature		-20°C – +60°C			
Dimensions (W × H × D)		480 × 88 × 528 mm			
Weight (with grill and handles)		16.0 kg	16.0 kg	15.6 kg	15.9 kg

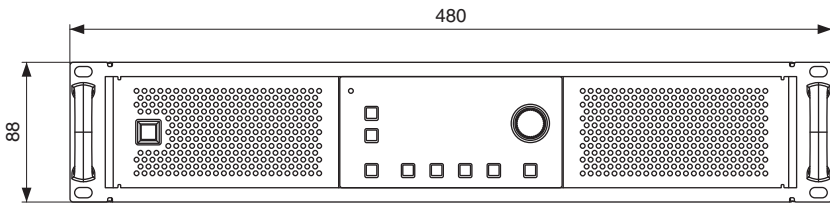
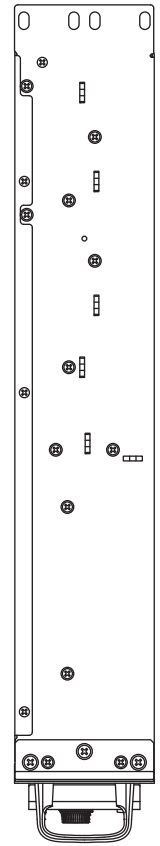
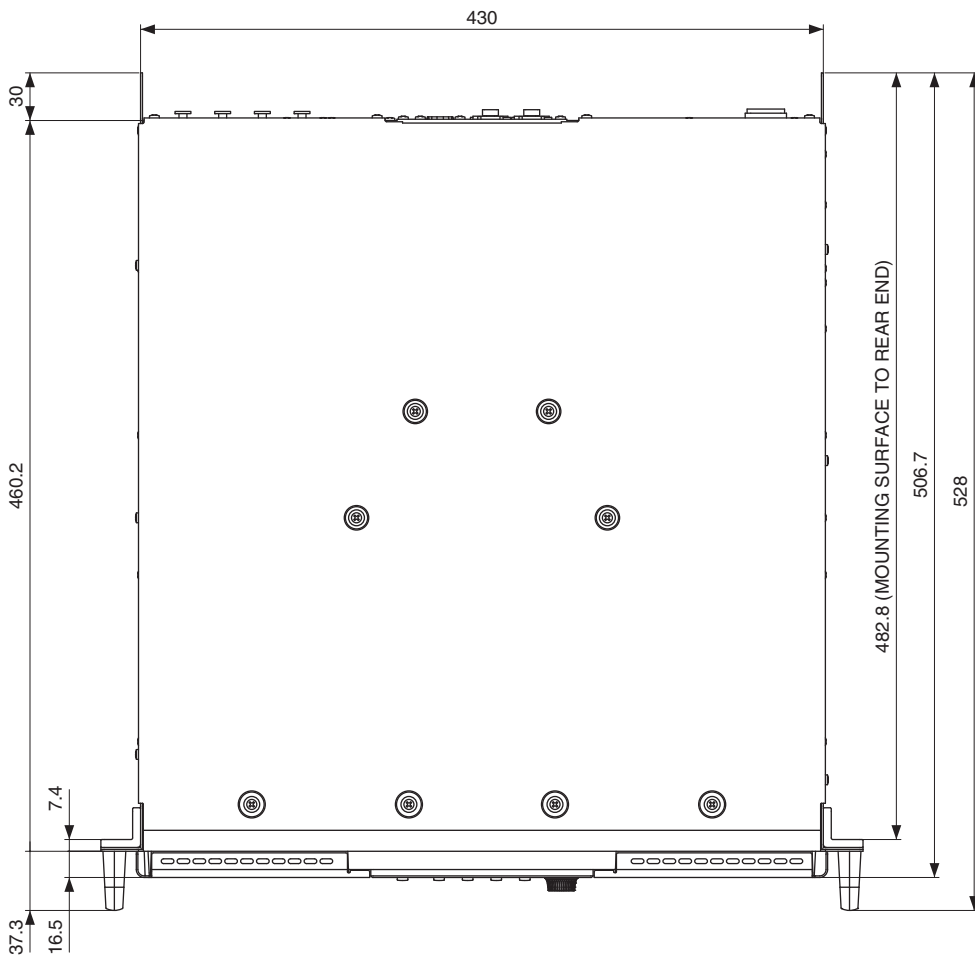
\*1 The unit has been verified to operate through a ±10% voltage variance from the rated power supply voltage.

## NOTICE

**When measuring the amplifier output, use a measuring device that supports balance input.  
Incorrect connection will fail to provide a proper ground connection, causing the amplifier or the measuring device to malfunction.**

The explanations in this document use the latest specifications as of the date of publication. The latest version can be downloaded from the Yamaha website.

# Dimensions



Unit: mm

## About Using BSD-Licensed Software

EN

The software used by this product includes components that comply with the BSD license.

The restrictions placed on users of software released under a typical BSD license are that if they redistribute such software in any form, with or without modification, they must include in the redistribution (1) a disclaimer of liability, (2) the original copyright notice and (3) a list of licensing provisions.

The following contents are displayed based on the licensing conditions described above, and do not govern your use of the product.

## Über die Verwendung BSD-lizenzierter Software

DE

Die von diesem Produkt verwendete Software enthält Komponenten, die mit der BSD-Lizenz übereinstimmen.

Die Einschränkungen, die Anwendern von Software unter einer üblichen BSD-Lizenz auferlegt werden, bestehen darin, dass sie bei Weiterverbreitung solcher Software in jeglicher Form, mit oder ohne Modifikationen, (1) dieser einen Haftungsausschluss, (2) den originalen Urheberrechtsvermerk und (3) eine Liste der Lizenzierungsgebühren beifügen müssen.

Die folgenden Inhalte werden auf Grundlage der oben beschriebenen Lizenzierungsbedingungen angegeben und regeln nicht Ihre Verwendung des Produkts.

## À propos de l'utilisation du logiciel sous licence BSD

FR

Le logiciel utilisé par ce produit comprend des composants conformes aux termes de la licence BSD.

Les restrictions imposées aux utilisateurs du logiciel publié sous la licence BSD typique stipulent, pour les utilisateurs qui distribuent le logiciel sous quelque forme que ce soit, avec ou sans modification, l'exigence d'inclure au titre de la redistribution : (1) un déistement de responsabilité ; (2) la mention relative aux droits d'auteur originale ; et (3) une liste de dispositions en matière d'octroi de licence.

Les contenus suivants sont affichés sur la base des conditions d'octroi de licence décrites ci-dessus, et ne régissent en aucun cas l'utilisation que vous faites du produit.

## Información sobre el uso de software con licencia BSD

ES

El software que se utiliza en este producto incluye componentes que cumplen con la licencia BSD.

Las restricciones que son de aplicación a los usuarios del software suministrado con una licencia BSD típica exigen que, en caso de cualquier tipo de redistribución de dicho software, con o sin modificaciones, se incluya en la redistribución: (1) una exención de responsabilidades; (2) el aviso de derechos de autor (copyright) original; y (3) una lista de cláusulas de la licencia.

El contenido siguiente se muestra de conformidad con las condiciones de licencia descritas anteriormente y no rigen el uso del producto por parte de usted.

## Sobre o uso do software licenciado BSD

PT

O software usado por esse produto inclui componentes que estão em conformidade com a licença do BSD.

As restrições impostas a usuários do software distribuído sob uma típica licença BSD estabelecem que se eles redistribuírem tal software, sob qualquer forma, com ou sem modificações, deverão incluir (1) uma declaração de isenção de responsabilidade na redistribuição, (2) o aviso de direitos autorais original e (3) uma lista das cláusulas de licenciamento.

O sumário a seguir será exibido com base nas condições de licenciamento descritas acima mas não regem seu uso do produto.

## Informazioni sull'uso del software concesso in licenza da BSD

IT

Il software utilizzato da questo prodotto include componenti conformi alla licenza BSD.

Gli utenti del software rilasciato con una licenza tipica BSD sono soggetti a limitazioni, ad esempio se ridistribuiscono tale software in qualsiasi forma, con o senza modifiche, devono includere nella redistribuzione (1) una dichiarazione di non responsabilità, (2) l'avviso di copyright originale e (3) un elenco di disposizioni in materia di licenze.

I contenuti di seguito vengono visualizzati in base alle condizioni di licenza sopra elencate e non regolamentano l'utilizzo del prodotto.

English

Deutsch

Français

Español

Português

Italiano

Русский

中文

한국어

日本語

## Об использовании лицензионного программного обеспечения BSD

RU

Программное обеспечение, используемое в данном устройстве, включает компоненты, соответствующие требованиям Программной лицензии университета Беркли (BSD).

Ограничения, налагаемые на пользователей программного обеспечения, выпускаемого под лицензией BSD, включают следующее: если пользователи распространяют подобное программное обеспечение в любом виде, в том числе без изменений, они должны включить в пакет: 1) отказ от принятия на себя ответственности; 2) оригинал уведомления об авторских правах; и 3) список положений о лицензировании.

Эти положения основаны на вышеизложенных условиях лицензирования и не касаются использования продукта вами.

## 关于使用BSD认证的软件

ZH

本产品包括组件使用的软件均符合BSD许可。

在典型的BSD许可下发布软件的用户，有如下限制：如果用户以任何形式重新发布软件，无论修改与否，需要包含(1)免责声明，(2)原版的版权信息和(3)规定许可的清单。

基于上述许可条件的如下显示内容不影响您对产品的使用。

## BSD 라이선스가 적용된 소프트웨어의 사용에 관한 설명

KO

본 제품에 사용된 소프트웨어에는 BSD 라이선스를 준수하는 컴포넌트가 포함되어 있습니다.

일반적인 BSD 라이선스 하에 출시된 소프트웨어를 어떠한 형태로든 재배포할 경우 배포자는 소프트웨어 수정 여부와 상관없이 (1) 책임 면책 조항, (2) 원 저작권 고지 및 (3) 라이선스 규정 목록을 반드시 포함시켜야 합니다. 다음 내용은 위에 설명된 라이선스 조건을 기준으로 표시되었으며 제품 사용에는 영향을 미치지 않습니다.

## BSDライセンスソフトウェアの利用に関するお知らせ

JA

本製品はソフトウェアの一部にBSDライセンスに従ったソフトウェアを利用しています。

BSDライセンスとは、無保証の旨の明記、著作権表示、ライセンス条条文一覧の表示を条件としてプログラムの再頒布が許諾されるソフトウェアのライセンス形式です。

下記の内容は、上記ライセンス条件にもとづき表示されるものであり、お客様の使用制限等を規定するものではありません。

### lwIP is licenced under the BSD licence:

Copyright (c) 2001-2004 Swedish Institute of Computer Science.  
All rights reserved.

Redistribution and use in source and binary forms, with or without modification, are permitted provided that the following conditions are met:

1. Redistributions of source code must retain the above copyright notice, this list of conditions and the following disclaimer.
2. Redistributions in binary form must reproduce the above copyright notice, this list of conditions and the following disclaimer in the documentation and/or other materials provided with the distribution.
3. The name of the author may not be used to endorse or promote products derived from this software without specific prior written permission.

THIS SOFTWARE IS PROVIDED BY THE AUTHOR "AS IS" AND ANY EXPRESS OR IMPLIED WARRANTIES, INCLUDING, BUT NOT LIMITED TO, THE IMPLIED WARRANTIES OF MERCHANTABILITY AND FITNESS FOR A PARTICULAR PURPOSE ARE DISCLAIMED. IN NO EVENT SHALL THE AUTHOR BE LIABLE FOR ANY DIRECT, INDIRECT, INCIDENTAL, SPECIAL, EXEMPLARY, OR CONSEQUENTIAL DAMAGES (INCLUDING, BUT NOT LIMITED TO, PROCUREMENT OF SUBSTITUTE GOODS OR SERVICES; LOSS OF USE, DATA, OR PROFITS; OR BUSINESS INTERRUPTION) HOWEVER CAUSED AND ON ANY THEORY OF LIABILITY, WHETHER IN CONTRACT, STRICT LIABILITY, OR TORT (INCLUDING NEGLIGENCE OR OTHERWISE) ARISING IN ANY WAY OUT OF THE USE OF THIS SOFTWARE, EVEN IF ADVISED OF THE POSSIBILITY OF SUCH DAMAGE.

### Information for users on collection and disposal of old equipment:



This symbol on the products, packaging, and/or accompanying documents means that used electrical and electronic products should not be mixed with general household waste. For proper treatment, recovery and recycling of old products, please take them to applicable collection points, in accordance with your national legislation.

By disposing of these products correctly, you will help to save valuable resources and prevent any potential negative effects on human health and the environment which could otherwise arise from inappropriate waste handling.

For more information about collection and recycling of old products, please contact your local municipality, your waste disposal service or the point of sale where you purchased the items.

#### For business users in the European Union:

If you wish to discard electrical and electronic equipment, please contact your dealer or supplier for further information.

#### Information on Disposal in other Countries outside the European Union:

This symbol is only valid in the European Union. If you wish to discard these items, please contact your local authorities or dealer and ask for the correct method of disposal.

(weee\_eu\_en\_02)

English

Deutsch

Français

Español

Português

Italiano

Русский

中文

한국어

日本語

### Verbraucherinformation zur Sammlung und Entsorgung alter Elektrogeräte



Befindet sich dieses Symbol auf den Produkten, der Verpackung und/oder beiliegenden Unterlagen, so sollten benutzte elektrische Geräte nicht mit dem normalen Haushaltsabfall entsorgt werden. In Übereinstimmung mit Ihren nationalen Bestimmungen bringen Sie alte Geräte bitte zur fachgerechten Entsorgung, Wiederaufbereitung und Wiederverwendung zu den entsprechenden Sammelstellen.

Durch die fachgerechte Entsorgung der Elektrogeräte helfen Sie, wertvolle Ressourcen zu schützen, und verhindern mögliche negative Auswirkungen auf die menschliche Gesundheit und die Umwelt, die andernfalls durch unsachgerechte Müllentsorgung auftreten könnten.

Für weitere Informationen zum Sammeln und Wiederaufbereiten alter Elektrogeräte kontaktieren Sie bitte Ihre örtliche Stadt- oder Gemeindeverwaltung, Ihren Abfallentsorgungsdienst oder die Verkaufsstelle der Artikel.

#### Information für geschäftliche Anwender in der Europäischen Union:

Wenn Sie Elektrogeräte ausrangieren möchten, kontaktieren Sie bitte Ihren Händler oder Zulieferer für weitere Informationen.

#### Entsorgungsinformation für Länder außerhalb der Europäischen Union:

Dieses Symbol gilt nur innerhalb der Europäischen Union. Wenn Sie solche Artikel ausrangieren möchten, kontaktieren Sie bitte Ihre örtlichen Behörden oder Ihren Händler und fragen Sie nach der sachgerechten Entsorgungsmethode.

(weee\_eu\_de\_02)

### Informations concernant la collecte et le traitement des déchets d'équipements électriques et électroniques



Le symbole sur les produits, l'emballage et/ou les documents joints signifie que les produits électriques ou électroniques usagés ne doivent pas être mélangés avec les déchets domestiques habituels. Pour un traitement, une récupération et un recyclage appropriés des déchets d'équipements électriques et électroniques, veuillez les déposer aux points de collecte prévus à cet effet, conformément à la réglementation nationale.

En vous débarrassant correctement des déchets d'équipements électriques et électroniques, vous contribuerez à la sauvegarde de précieuses ressources et à la prévention de potentiels effets négatifs sur la santé humaine qui pourraient advenir lors d'un traitement inapproprié des déchets.

Pour plus d'informations à propos de la collecte et du recyclage des déchets d'équipements électriques et électroniques, veuillez contacter votre municipalité, votre service de traitement des déchets ou le point de vente où vous avez acheté les produits.

#### Pour les professionnels dans l'Union européenne :

Si vous souhaitez vous débarrasser des déchets d'équipements électriques et électroniques, veuillez contacter votre vendeur ou fournisseur pour plus d'informations.

#### Informations sur la mise au rebut dans d'autres pays en dehors de l'Union européenne :

Ce symbole est seulement valable dans l'Union européenne. Si vous souhaitez vous débarrasser de déchets d'équipements électriques et électroniques, veuillez contacter les autorités locales ou votre fournisseur et demander la méthode de traitement appropriée.

(weee\_eu\_fr\_02)

### Información para usuarios sobre la recogida y eliminación de los equipos antiguos



Este símbolo en los productos, embalajes y documentos anexos significa que los productos eléctricos y electrónicos no deben mezclarse con los desperdicios domésticos normales.

Para el tratamiento, recuperación y reciclaje apropiados de los productos antiguos, llévelos a puntos de reciclaje correspondientes, de acuerdo con la legislación nacional.

Al deshacerse de estos productos de forma correcta, ayudará a ahorrar recursos valiosos y a impedir los posibles efectos desfavorables en la salud humana y en el entorno que de otro modo se producirían si se trataran los desperdicios de modo inapropiado.

Para obtener más información acerca de la recogida y el reciclaje de los productos antiguos, póngase en contacto con las autoridades locales, con el servicio de eliminación de basuras o con el punto de venta donde adquirió los artículos.

#### Para los usuarios empresariales de la Unión Europea:

Si desea desechar equipos eléctricos y electrónicos, póngase en contacto con su vendedor o proveedor para obtener más información.

#### Información sobre la eliminación en otros países fuera de la Unión Europea:

Este símbolo solo es válido en la Unión Europea. Si desea desechar estos artículos, póngase en contacto con las autoridades locales o con el vendedor y pregúnteles el método correcto.

(weee\_eu\_es\_02)

### Informações para os utilizadores relativas à recolha e eliminação de equipamentos usados



Este símbolo, presente em produtos, embalagens e/ou incluído na documentação associada, indica que os produtos elétricos e eletrónicos usados não devem ser eliminados juntamente com os resíduos domésticos em geral.

O procedimento correto consiste no tratamento, recuperação e reciclagem de produtos usados, pelo que deve proceder à respetiva entrega nos pontos de recolha adequados, em conformidade com a legislação nacional em vigor.

A eliminação destes produtos de forma adequada permite poupar recursos valiosos e evitar potenciais efeitos prejudiciais para a saúde pública e para o ambiente, associados ao processamento incorreto dos resíduos.

Para mais informações relativas à recolha e reciclagem de produtos usados, contacte as autoridades locais, o serviço de eliminação de resíduos ou o ponto de venda onde foram adquiridos os itens relevantes.

#### Informações para utilizadores empresariais na União Europeia:

Para proceder à eliminação de equipamento elétrico e eletrónico, contacte o seu revendedor ou fornecedor para obter informações adicionais.

#### Informações relativas à eliminação em países não pertencentes à União Europeia:

Este símbolo é válido exclusivamente na União Europeia. Caso pretenda eliminar este tipo de itens, contacte as autoridades locais ou o seu revendedor e informe-se acerca do procedimento correto para proceder à respetiva eliminação.

(weee\_eu\_pt\_02a)

### Informazioni per gli utenti sulla raccolta e lo smaltimento di vecchia attrezzatura



Questi simboli sui prodotti, sull'imballaggio e/o sui documenti che li accompagnano, indicano che i prodotti elettrici ed elettronici non devono essere mischiati con i rifiuti generici.

Per il trattamento, il recupero e il riciclaggio appropriato di vecchi prodotti, si prega di portarli ai punti di raccolta designati, in accordo con la legislazione locale.

Smaltendo correttamente questi prodotti si potranno recuperare risorse preziose, oltre a prevenire potenziali effetti negativi sulla salute e l'ambiente che potrebbero sorgere a causa del trattamento improprio dei rifiuti.

Per ulteriori informazioni sulla raccolta e il riciclaggio di vecchi prodotti, si prega di contattare l'amministrazione comunale locale, il servizio di smaltimento dei rifiuti o il punto vendita dove sono stati acquistati gli articoli.

#### Per utenti imprenditori dell'Unione europea:

Se si desidera scartare attrezzatura elettrica ed elettronica, si prega di contattare il proprio rivenditore o il proprio fornitore per ulteriori informazioni.

#### Informazioni sullo smaltimento negli altri Paesi al di fuori dell'Unione europea:

Questi simboli sono validi solamente nell'Unione Europea; se si desidera scartare questi articoli, si prega di contattare le autorità locali o il rivenditore e richiedere informazioni sulla corretta modalità di smaltimento.

(weee\_eu\_it\_02)



# Important Notice: Guarantee Information for customers in European Economic Area (EEA) and Switzerland

<p><b>Important Notice: Guarantee Information for customers in EEA* and Switzerland</b></p> <p>For detailed guarantee information about this Yamaha product, and Pan-EEA* and Switzerland warranty service, please either visit the website address below (Printable file is available at our website) or contact the Yamaha representative office for your country. * EEA: European Economic Area</p>	English
<p><b>Wichtiger Hinweis: Garantie-Information für Kunden in der EWR* und der Schweiz</b></p> <p>Für nähere Garantie-Information über dieses Produkt von Yamaha, sowie über den Pan-EWR*- und Schweizer Garantieservice, besuchen Sie bitte entweder die folgend angegebene Internetadresse (eine druckfähige Version befindet sich auch auf unserer Webseite), oder wenden Sie sich an den für Ihr Land zuständigen Yamaha-Vertrieb. *EWR: Europäischer Wirtschaftsraum</p>	Deutsch
<p><b>Remarque importante: informations de garantie pour les clients de l'EEE et la Suisse</b></p> <p>Pour des informations plus détaillées sur la garantie de ce produit Yamaha et sur le service de garantie applicable dans l'ensemble de l'EEE ainsi qu'en Suisse, consultez notre site Web à l'adresse ci-dessous (le fichier imprimable est disponible sur notre site Web) ou contactez directement Yamaha dans votre pays de résidence. * EEE : Espace Economique Européen</p>	Français
<p><b>Belangrijke mededeling: Garantie-informatie voor klanten in de EER* en Zwitserland</b></p> <p>Voor gedetailleerde garantie-informatie over dit Yamaha-product en de garantieservice in heel de EER* en Zwitserland, gaat u naar de onderstaande website (u vindt een afdrukbare bestand op onze website) of neemt u contact op met de vertegenwoordiging van Yamaha in uw land. * EER: Europese Economische Ruimte</p>	Nederlands
<p><b>Aviso importante: información sobre la garantía para los clientes del EEE* y Suiza</b></p> <p>Para una información detallada sobre este producto Yamaha y sobre el soporte de garantía en la zona EEE* y Suiza, visite la dirección web que se incluye más abajo (la versión del archivo para imprimir esta disponible en nuestro sitio web) o póngase en contacto con el representante de Yamaha en su país. * EEE: Espacio Económico Europeo</p>	Español
<p><b>Avviso importante: informazioni sulla garanzia per i clienti residenti nell'EEA* e in Svizzera</b></p> <p>Per informazioni dettagliate sulla garanzia relativa a questo prodotto Yamaha e l'assistenza in garanzia nei paesi EEA* e in Svizzera, potete consultare il sito Web all'indirizzo riportato di seguito (è disponibile il file in formato stampabile) oppure contattare l'ufficio di rappresentanza locale della Yamaha. * EEA: Area Economica Europea</p>	Italiano
<p><b>Aviso importante: informações sobre as garantias para clientes da AEE* e da Suíça</b></p> <p>Para obter uma informação pormenorizada sobre este produto da Yamaha e sobre o serviço de garantia na AEE* e na Suíça, visite o site a seguir (o arquivo para impressão está disponível no nosso site) ou entre em contato com o escritório de representação da Yamaha no seu país. * AEE: Área Econômica Européia</p>	Português
<p><b>Σημαντική σημείωση: Πληροφορίες εγγύησης για τους πελάτες στον EOX* και Ελλάδα</b></p> <p>Για λεπτομερείς πληροφορίες εγγύησης σχετικά με το παρόν προϊόν της Yamaha και την κάλυψη εγγύησης σε όλες τις χώρες του EOX και την Ελλάδα, επισκεφτείτε την παρακάτω ιστοσελίδα (Εκτυπώσιμη μορφή είναι διαθέσιμη στην ιστοσελίδα μας) ή απευθυνθείτε στην αντιπροσωπεία της Yamaha στη χώρα σας. * EOX: Ευρωπαϊκός Οικονομικός Χώρος</p>	Ελληνικά
<p><b>Viktigt: Garantiinformation för kunder i EES-området* och Schweiz</b></p> <p>För detaljerad information om denna Yamahaprodukt samt garantiservice i hela EES-området* och Schweiz kan du antingen besöka nedanstående webbadress (en utskriftsvänlig fil finns på webbplatsen) eller kontakta Yamahas officiella representant i ditt land. * EES: Europeiska Ekonomiska Samarbetsområdet</p>	Svenska
<p><b>Viktig merknad: Garantiinformasjon for kunder i EØS* og Sveits</b></p> <p>Detaljert garantiinformasjon om dette Yamaha-produktet og garantiservice for hele EØS-området* og Sveits kan fås enten ved å besøke nettadressen nedenfor (utskriftsversjon finnes på våre nettsider) eller kontakte kontakte Yamaha-kontoret i landet der du bor. *EØS: Det europeiske økonomiske samarbeidsområdet</p>	Norsk
<p><b>Vigtig oplysning: Garantioplysninger til kunder i EØO* og Schweiz</b></p> <p>De kan finde detaljerede garantioplysninger om dette Yamaha-produkt og den fælles garantiserviceordning for EØO* (og Schweiz) ved at besøge det websted, der er angivet nedenfor (der findes en fil, som kan udskrives, på vores websted), eller ved at kontakte Yamahas nationale repræsentationskontor i det land, hvor De bor. * EØO: Det Europæiske Økonomiske Område</p>	Dansk
<p><b>Tärkeä ilmoitus: Takuutiedot Euroopan talousalueen (ETA)* ja Sveitsin asiakkaille</b></p> <p>Tämän Yamaha-tuotteen sekä ETA-alueen ja Sveitsin takuuta koskevat yksityiskohtaiset tiedot saatte alla olevasta nettiosoitteesta. (Tulostettava tiedosto saatavissa sivustollamme.) Voitte myös ottaa yhteyttä paikalliseen Yamaha-edustajaan. *ETA: Euroopan talousalue</p>	Suomi
<p><b>Ważne: Warunki gwarancyjne obowiązujące w EOG* i Szwajcarii</b></p> <p>Aby dowiedzieć się więcej na temat warunków gwarancyjnych tego produktu firmy Yamaha i serwisu gwarancyjnego w całym EOG* i Szwajcarii, należy odwiedzić wskazaną poniżej stronę internetową (Plik gotowy do wydruku znajduje się na naszej stronie internetowej) lub skontaktować się z przedstawicielstwem firmy Yamaha w swoim kraju. * EOG — Europejski Obszar Gospodarczy</p>	Polski
<p><b>Důležité oznámení: Záruční informace pro zákazníky v EHS* a ve Švýcarsku</b></p> <p>Podrobné záruční informace o tomto produktu Yamaha a záručním servisu v celém EHS* a ve Švýcarsku naleznete na níže uvedené webové adrese (soubor k tisku je dostupný na našich webových stránkách) nebo se můžete obrátit na zastoupení firmy Yamaha ve své zemi. * EHS: Evropský hospodářský prostor</p>	Česky
<p><b>Fontos figyelemztetés: Garancia-információk az EGT* területén és Svájcban élő vásárlók számára</b></p> <p>A jelen Yamaha termékre vonatkozó részletes garancia-információk, valamint az EGT*-re és Svájcra kiterjedő garanciális szolgáltatás tekintetében keresse fel webhelyünket az alábbi címen (a webhelyen nyomtatható fájl is talál), vagy pedig lépjen kapcsolatba az országában működő Yamaha képviselői irodával. * EGT: Európai Gazdasági Térség</p>	Magyar
<p><b>Oluline märkus: Garantiiteave Euroopa Majanduspiirkonna (EMP)* ja Šveitsi klientidele</b></p> <p>Täpsema teabe saamiseks selle Yamaha toote garantii ning kogu Euroopa Majanduspiirkonna ja Šveitsi garantiiteeninduse kohta, külastage palun veebisaiti alljärgneval aadressil (meie saidil on saadaval printitav fail) või pöörduge Teie regiooni Yamaha esinduse poole. * EMP: Euroopa Majanduspiirkond</p>	Eesti keel
<p><b>Svarīgs paziņojums: garantijas informācija klientiem EEZ* un Šveicē</b></p> <p>Lai saņemtu detalizētu garantijas informāciju par šo Yamaha produktu, kā arī garantijas apkalpošanu EEZ* un Šveicē, lūdz, apmeklējiet zemāk norādīto tīmekļa vietnes adresi (tīmekļa vietnē ir pieejams drukājams fails) vai sazinieties ar jūsu valsti apkalpojošo Yamaha pārstāvniecību. * EEZ: Eiropas Ekonomikas zona</p>	Latviešu
<p><b>Dėmesio: informacija dėl garantijos pirkėjams EEE* ir Šveicarijoje</b></p> <p>Jei reikia išsamios informacijos apie šį „Yamaha“ produktą ir jo techninę priežiūrą visoje EEE* ir Šveicarijoje, apsilankykite mūsų svetainėje toliau nurodytu adresu (svetainėje yra spausdintinas failas) arba kreipkitės į „Yamaha“ atstovybę savo šalyje. *EEE – Europos ekonominė erdvė</p>	Lietuvių kalba
<p><b>Dôležité upozornenie: Informácie o záruke pre zákazníkov v EHP* a Švajčiarsku</b></p> <p>Podrobné informácie o záruke týkajúce sa tohto produktu od spoločnosti Yamaha a garančnom servise v EHP* a Švajčiarsku nájdete na webovej stránke uvedenej nižšie (na našej webovej stránke je k dispozícii súbor na tlač) alebo sa obráťte na zástupcu spoločnosti Yamaha vo svojej krajine. * EHP: Európsky hospodársky priestor</p>	Slovenčina
<p><b>Pomembno obvestilo: Informacije o garanciji za kupce v EGP* in Švici</b></p> <p>Za podrobnejše informacije o tem Yamahinem izdelku ter garancijskem servisu v celotnem EGP in Švici, obiščite spletno mesto, ki je navedeno spodaj (natisljiva datoteka je na voljo na našem spletnem mestu), ali se obrnite na Yamahinega predstavnika v svoji državi. * EGP: Evropski gospodarski prostor</p>	Slovenščina
<p><b>Важно съобщение: Информация за гаранцията за клиенти в ЕИП* и Швейцария</b></p> <p>За подробна информация за гаранцията за този продукт на Yamaha и гаранционното обслужване в паневропейската зона на ЕИП* и Швейцария или посетете посочения по-долу уеб сайт (на нашия уеб сайт има файл за печат), или се свържете с представителния офис на Yamaha във вашата страна. * ЕИП: Европейско икономическо пространство</p>	Български език
<p><b>Notificare importantă: Informații despre garanție pentru clienții din SEE* și Elveția</b></p> <p>Pentru informații detaliate privind acest produs Yamaha și serviciul de garanție Pan-SEE* și Elveția, vizitați site-ul la adresa de mai jos (fișierul imprimabil este disponibil pe site-ul nostru) sau contactați biroul reprezentanței Yamaha din țara dumneavoastră. * SEE: Spațiul Economic European</p>	Limba română
<p><b>Važna obavijest: Informacije o jamstvu za države EGP-a i Švicarske</b></p> <p>Za detaljne informacije o jamstvu za ovaj Yamahin proizvod te jamstvenom servisu za cijeli EGP i Švicarsku, molimo Vas da posjetite web-stranicu navedenu u nastavku ili kontaktirate ovlaštenog Yamahinog dobavljača u svojoj zemlji. * EGP: Evropski gospodarski prostor</p>	Hrvatski

<https://europe.yamaha.com/warranty/>

# Yamaha Worldwide Representative Offices

## English

For details on the product(s), contact your nearest Yamaha representative or the authorized distributor, found by accessing the 2D barcode below.

## Deutsch

Wenden Sie sich für nähere Informationen zu Produkten an eine Yamaha-Vertretung oder einen autorisierten Händler in Ihrer Nähe. Diese finden Sie mithilfe des unten abgebildeten 2D-Strichodes.

## Français

Pour obtenir des informations sur le ou les produits, contactez votre représentant ou revendeur agréé Yamaha le plus proche. Vous le trouverez à l'aide du code-barres 2D ci-dessous.

## Español

Para ver información detallada sobre el producto, contacte con su representante o distribuidor autorizado Yamaha más cercano. Lo encontrará escaneando el siguiente código de barras 2D.

## Italiano

Per dettagli sui prodotti, contattare il rappresentante Yamaha o il distributore autorizzato più vicino, che è possibile trovare tramite il codice a barre 2D in basso.

## Português

Para mais informações sobre o(s) produto(s), fale com seu representante da Yamaha mais próximo ou com o distribuidor autorizado acessando o código de barras 2D abaixo.

## Русский

Чтобы узнать подробнее о продукте (продуктах), свяжитесь с ближайшим представителем или авторизованным дистрибьютором Yamaha, воспользовавшись двухмерным штрихкодом ниже.

## 简体中文

如需有关产品的详细信息，请联系距您最近的Yamaha代表或授权经销商，可通过访问下方的2D条形码找到这些代表或经销商的信息。

## 繁體中文

如需產品的詳細資訊，請聯絡與您距離最近的 Yamaha 銷售代表或授權經銷商，您可以掃描下方的二維條碼查看相關聯絡資料。

## 한국어

제품에 대한 자세한 정보는 아래 2D 바코드에 액세스하여 가까운 Yamaha 담당 판매점 또는 공식 대리점에 문의하십시오.



[https://manual.yamaha.com/audio/address\\_list/](https://manual.yamaha.com/audio/address_list/)

**Head Office/Manufacturer: Yamaha Corporation** 10-1, Nakazawa-cho, Chuo-ku, Hamamatsu, 430-8650, Japan

**Importer (European Union): Yamaha Music Europe GmbH** Siemensstrasse 22-34, 25462 Rellingen, Germany

**Importer (United Kingdom): Yamaha Music Europe GmbH (UK)** Sherbourne Drive, Tilbrook, Milton Keynes, MK7 8BL, United Kingdom

AP01

雅马哈乐器音响（中国）投资有限公司

上海市静安区新闸路1818号云和大厦2楼

客户服务热线：4000517700

公司网址：<https://www.yamaha.com.cn>

厂名：雅马哈电子（苏州）有限公司

厂址：江苏省苏州市苏州新区鹿山路18号

ヤマハ株式会社

〒430-8650 静岡県浜松市中央区中沢町10-1

Yamaha Pro Audio global website  
<https://www.yamahaproaudio.com/>

Yamaha Downloads  
<https://download.yamaha.com/>

© 2019 Yamaha Corporation  
Published 09/2024  
2024年9月发行  
IPES-D0



VHT7930