

When recessing into the ceiling



WARNING:

- Before installing, confirm that the locations where the unit and the safety wire are to be installed are strong enough.
- Attach the unit to the ceiling by using the included brackets. Before installing, confirm that the mounting location is strong enough. In addition, make sure that the ceiling panel will not be subjected to a load higher than the withstand load, such as by using the included U-shaped bracket to transfer the load onto structural material. If a load will be applied to the panel, reinforce the panel as necessary in order to prevent parts from being damaged and the unit or parts from falling.

NOTICE:

- To supply power, confirm that the unit is securely installed, and then connect the LAN cable to a PoE injector or PoE network switch that complies with IEEE802.3af.
- Cables up to a maximum length of 100 m can be used.
- In order to prevent electromagnetic interference, use STP (shielded twisted pair) cables.
- The weight, including the grille and mounting brackets, is approximately 6.8 kg.

1 Making a hole in the ceiling

1. Position the cutout template on the ceiling, and then mark the cutout locations.

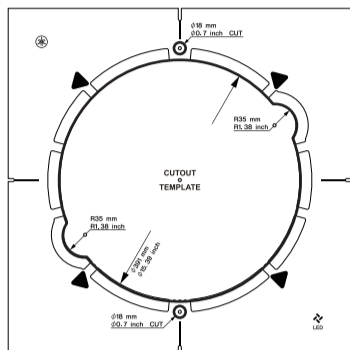
Determine the location and orientation based on the position of the logo.

The thick lines indicate parts that are to be cut out.

NOTE:

When using a hole cutter, mark the center points of the five holes to be cut according to the cutout template. First cut the R35 mm holes.

Make sure that there will be ceiling rails on the top and bottom sides of the cutout template when it is oriented as shown below.



2. Cut holes in the ceiling along the markings.



CAUTION:

Be careful not to get debris or dust in your eyes when cutting holes.

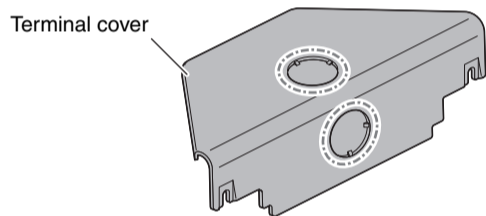
2 Attaching the brackets

If the terminal cover will not be used, skip steps 1, 8 and 10. However, the dustproofness and plenum ratings will not be met.

1. Make a hole in the terminal cover to pass the conduit through.

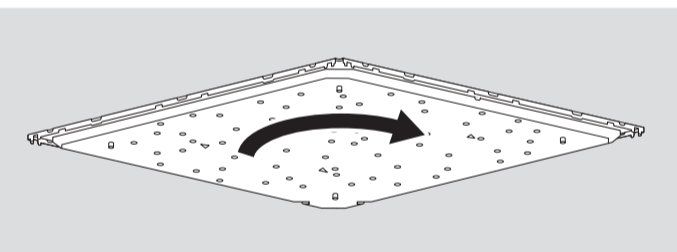
Make a cable hole in the terminal cover according to the orientation of the conduit. The cable hole can be made in the terminal cover horizontally or vertically.

We recommend using nippers. The terminal cover may become deformed if you try to make the hole by hitting or prying the cover with a flathead screwdriver, etc.



2. Turn the unit clockwise to adjust its orientation.

Placing the temporary mounting brackets on the C-ring allows you to take your hands off the unit to work.

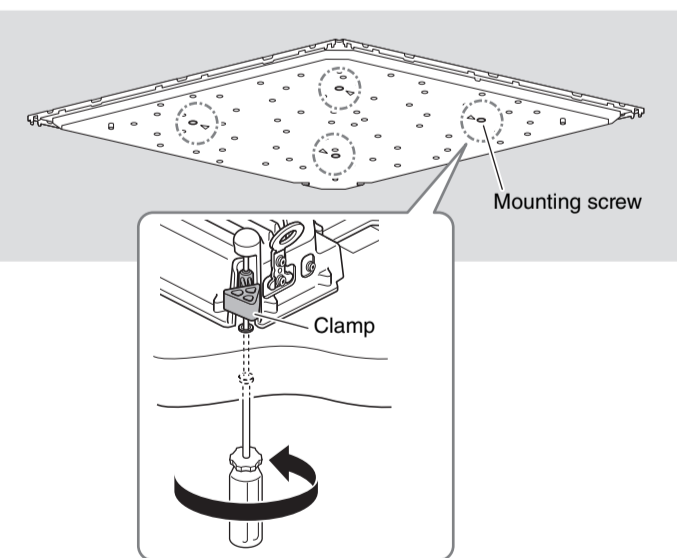


3. While holding the unit up, turn the four mounting screws clockwise with a Phillips screwdriver to tighten them.

The first turn opens the clamp. Each turn of the screw lowers the clamp and holds the C-ring against the ceiling.

If it is difficult to open the clamp, turn the screw counterclockwise half a turn to make it easier for the clamp to open.

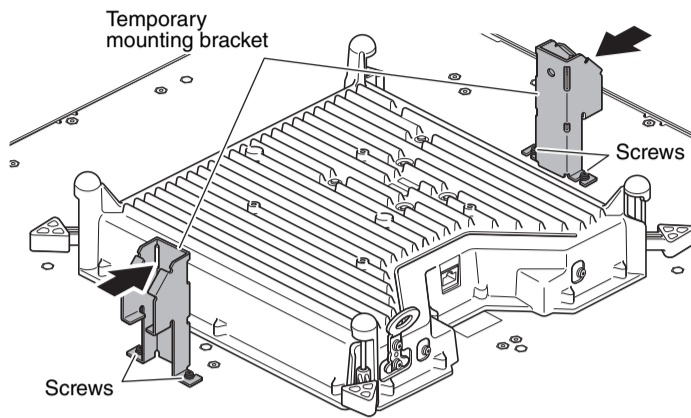
The orientation of the unit may shift when the mounting screws are turned. If the unit becomes misaligned, correct its position before fully tightening the screws.



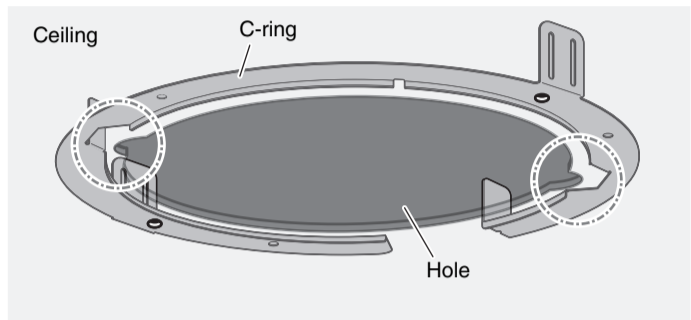
WARNING:

- Do not overtighten the mounting screws, otherwise they or the clamp may break.
- Do not turn any screws other than the mounting screws. Otherwise, the unit may fall or malfunction.

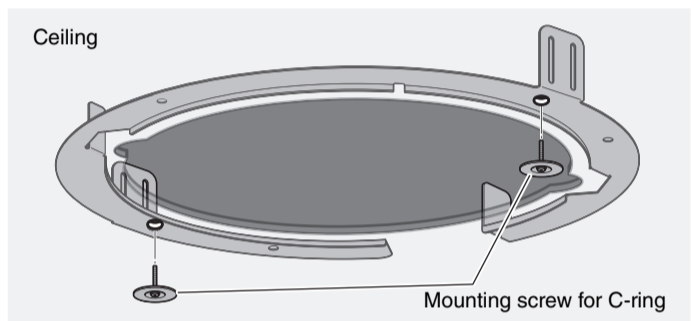
2. After loosening the temporary mounting brackets screws on the unit, attach the temporary mounting brackets to the unit by using those screws.



3. Insert the C-ring into the hole in the ceiling, and align the notches.



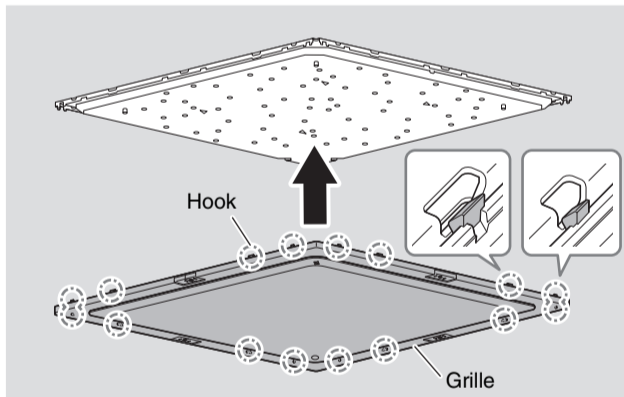
4. Secure the C-ring to the ceiling by using the mounting screws for the C-ring.



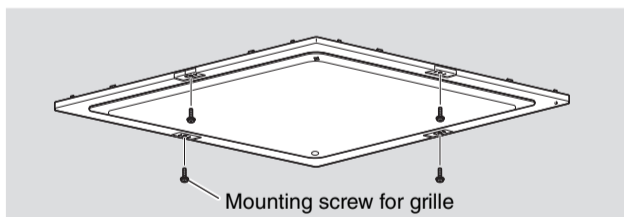
4 Attaching the grille

1. Attach the grille to the unit.

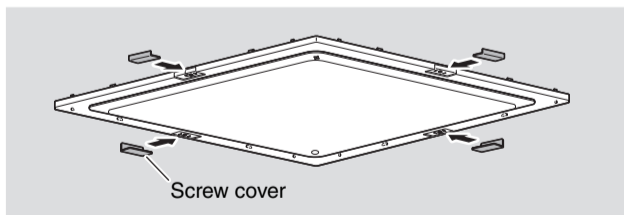
Attach while lightly opening the 16 hooks on the grille outward.



2. Secure the grille at four locations by using its mounting screws.

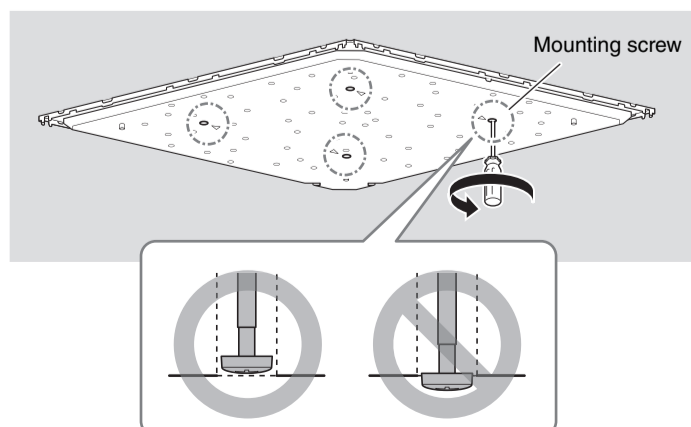


3. Slide the four screw covers from the side so they fit in their positions.



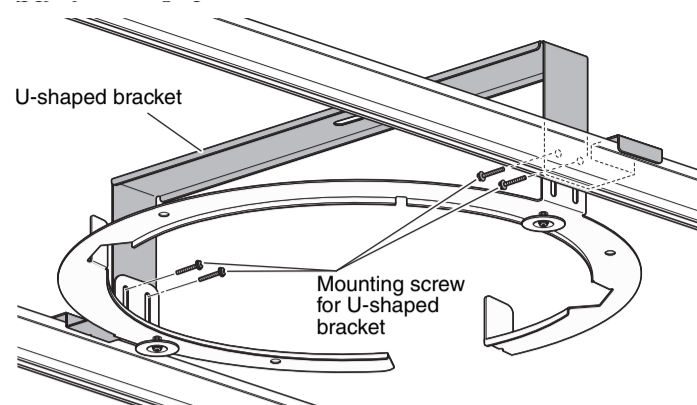
For removal, reverse the procedure. In that case, note the following.

- When removing the grille, lightly open the hooks outward.
- Loosen the four mounting screws by turning them counterclockwise. When the screw is loosened, the clamp that holds the unit against the ceiling will rise and close in. Make sure that the screw head does not protrude from the surface. If the screw is loosened too much, the clamp will come off, possibly falling and causing injuries when the unit is being removed from the hole.



5. Insert the U-shaped bracket into the hole in the ceiling, and then secure it to the C-ring by using the mounting screws for the U-shaped bracket.

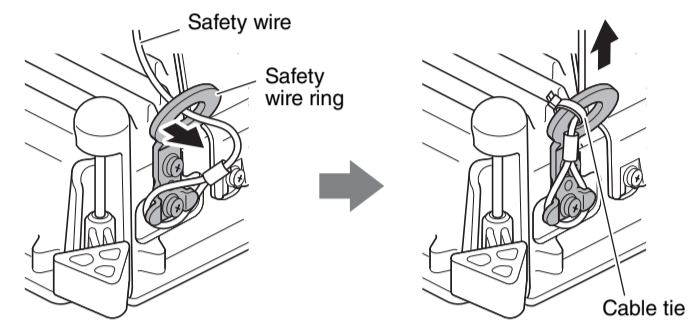
To spread the weight of the unit, make sure that both ends of the U-shaped bracket rest on a ceiling rail.



6. Attach the safety wire to a structure above the ceiling.

7. Attach the safety wire to the safety wire ring, and secure the safety wire and safety wire ring with a cable tie.

Perform the following steps up to step 3 with the unit hanging from the safety wire.

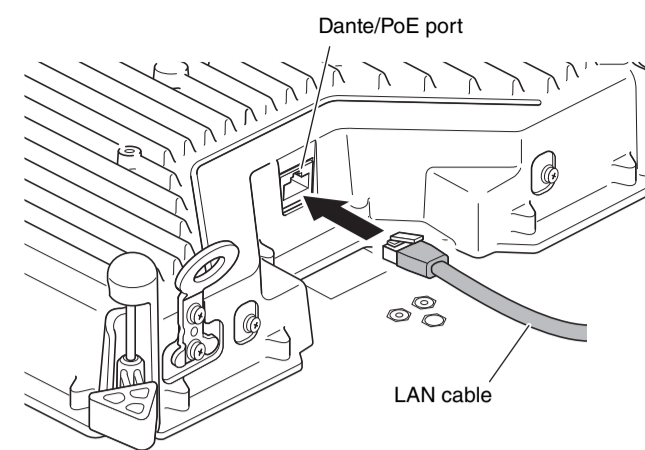


WARNING:

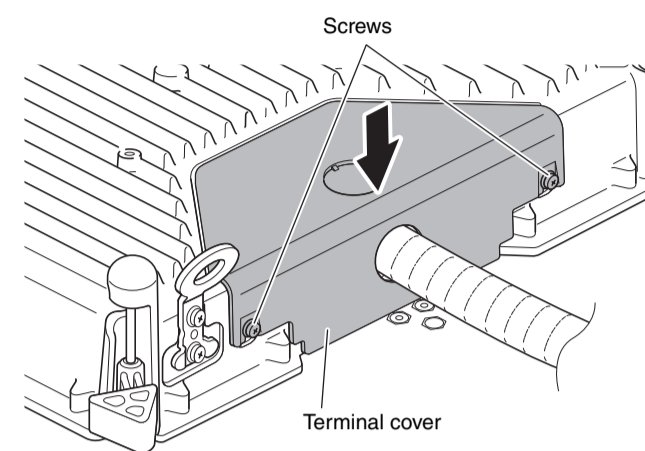
Be sure to take measures to prevent the unit from falling. If the attached safety wire is not long enough, consider the weight of the unit and the installation location when preparing a wire of appropriate length and strength. If the wire is too long, kinetic energy will be applied to the wire when the unit falls, possibly causing the wire to break and the unit to fall.

8. Pass the LAN cable through the terminal cover.

9. Plug the LAN cable into the Dante/PoE port.



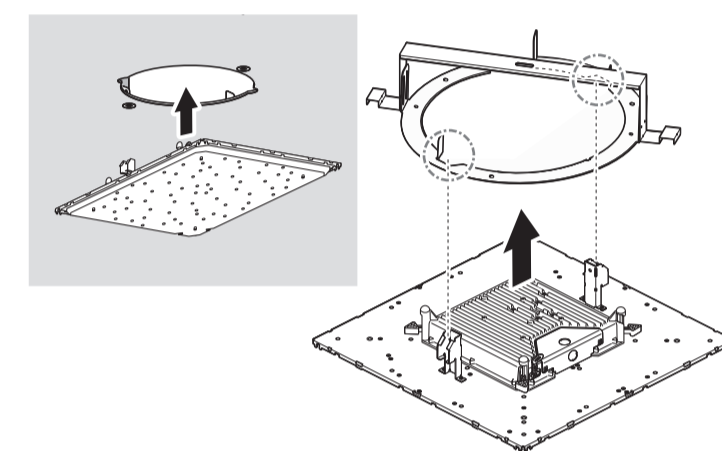
10. After loosening the terminal cover screws on the unit, attach the terminal cover to the unit by using those screws.



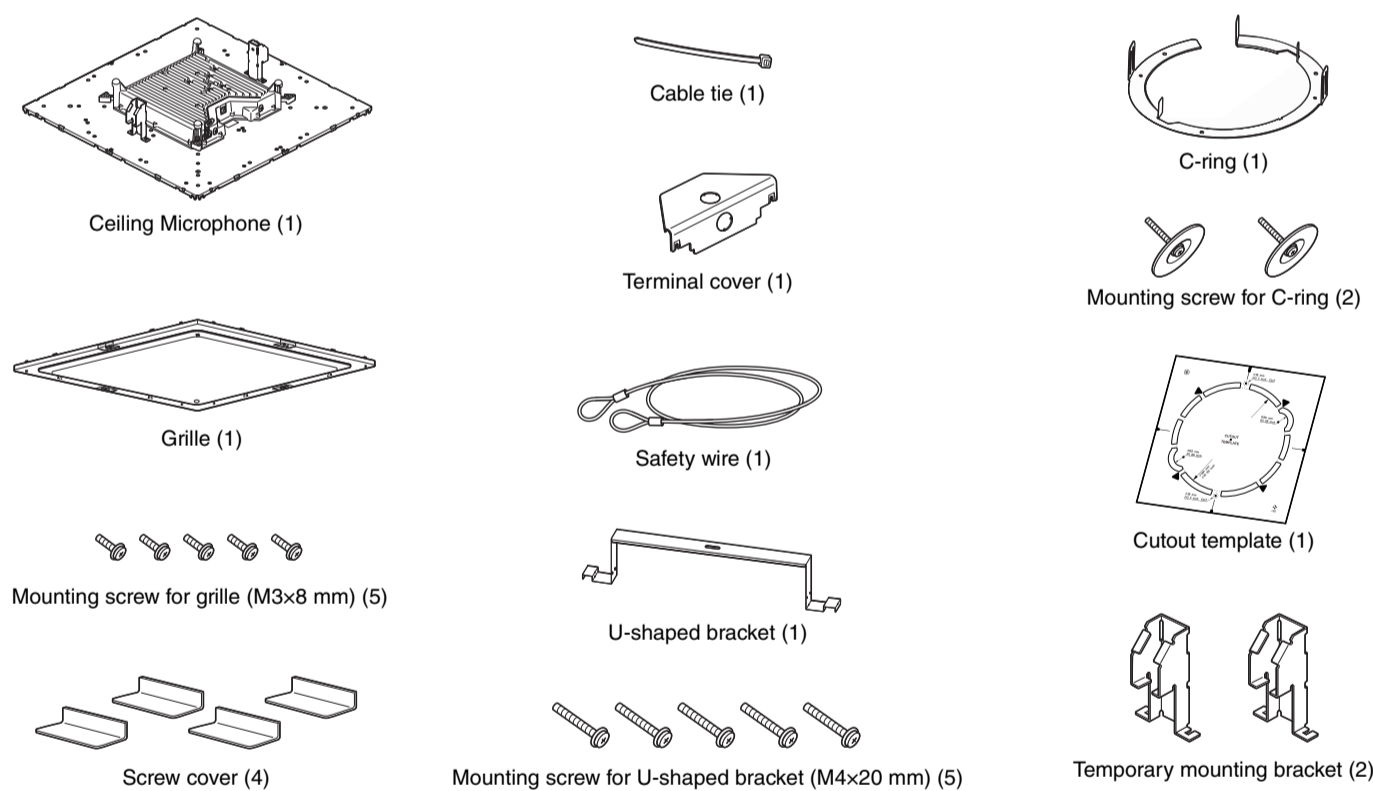
3 Attaching to the ceiling

1. Align the temporary mounting brackets with the notches of the hole in the ceiling, and then slowly insert the unit through the ceiling.

Be careful not to pinch the cable or safety wire between the ceiling and the unit.



Bundled items



Dimensional diagram

